



## Embassy of the United States of America

### Tokyo, Japan

April 21, 2023

Dear Prospective Offerors:

Subject: Request for Quotations Number 19JA8023Q0024  
Audio-Visual Components Furnishing and Installation Services for  
the Embassy in Tokyo

Enclosed is a Request for Quotations (RFQ) for furnishing and installation services of Audio-Visual Components. If you would like to submit quotation, follow the instructions in Section 3 of the RFQ, complete the required portions of the attached document, and submit it to the email address shown on the second page of this letter.

#### 1. Pre-quotation Conference and Site Visit

(a) The Embassy intends to conduct a pre-quotation conference and walk-through at the site, which will be held at the following Date/Time and Location:

Date: Friday, April 28, 2023  
Time: From 2:00 p.m. to on/about 3:30 p.m. (Japan Standard Time)  
Location: Meet at the Reception Lobby at the U.S. Embassy  
1-10-5 Akasaka, Minato-ku, Tokyo 107-8420

(b) All interested quoters who wish to attend must submit individual name (s), limited to three persons per company, company name/address, telephone/fax numbers, and email address, via email to Masao Chuma at [ChumaMX@state.gov](mailto:ChumaMX@state.gov) by **no later than 12:00 noon, Thursday, April 27, 2023 (JST)**, to arrange entry to the Embassy building. **Note: No attendee submission will be accepted after the specified date/time.**

(c) Attendee(s) must present an identification (ID) card with a photo (e.g. driver's license, passport, etc.) as it is required for entering the building.

(d) Bringing laptop PCs, electronic measuring equipment, cameras, and any kinds of electronic device into the Embassy building is prohibited. Therefore, do NOT bring them as the Embassy guards are not allowed to hold them on behalf.

(e) Photography is NOT ALLOWED

#### 2. Questions

Following the conference and site visit, quoters may submit questions (in English) regarding this RFQ by 3:00 p.m., Tuesday, May 2, 2023 (JST) via email to [ChumaMX@state.gov](mailto:ChumaMX@state.gov). No question submission will be accepted after the specified date/time. All questions will be consolidated, and one response document will be prepared and posted on the Embassy's website, the same website from where you obtained the solicitation documents.

### 3. Quotations

Quotations are due by **12:00 noon, Monday, May 22, 2023 (JST)**. No quotation will be accepted after the specified date/time. Quotations must be in English and incomplete quotations will not be accepted.

Your quotation must be submitted electronically to Masao Chuma via email to [ChumaMX@state.gov](mailto:ChumaMX@state.gov). The email size must not exceed 15MB. If the email size should exceed the 15MB, the submission must be made in separate emails less than 15MB each. After submission of quotation, quoters shall contact Masao Chuma by phone or email to confirm the receipt of quotation.

**\*SAM Registration:**

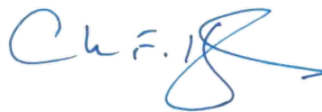
Quoters shall be registered in the SAM (System for Award Management) database at <https://www.sam.gov> prior to submittal of their quote as prescribed under FAR 4.1102.

Failure to be registered at the time of quotation submission may deem the quoter's quotation to be considered non-responsible and no further consideration will be given. Therefore, quoters are highly encouraged to register immediately.

It is understood that no payment will be made for preparation and submission of your quotation.

Thank you in advance for your interest and your time in participating in the request for quotations process.

Sincerely,

A handwritten signature in blue ink, appearing to read "C.F. Hughes", with a stylized flourish at the end.

Charles F. Hughes  
Contracting Officer

Enclosure:

Request for Quotations 19JA8023Q0024

<b>REQUEST FOR QUOTATIONS (RFQ)</b> <i>(THIS IS NOT AN ORDER)</i>	THIS RFQ [ ] IS [ <input checked="" type="checkbox"/> ] IS NOT A SMALL BUSINESS- SMALL PURCHASE SET-ASIDE (52.219-4)	PAGE 1	OF 1	PAGES 56
--	---	-----------	---------	-------------

1. REQUEST NO. 19JA8023Q0024	2. DATE ISSUED April 21, 2023	3. REQUISITION/PURCHASE REQUEST NO. PR11545137	4. CERT. FOR NAT. DEF. UNDER BDSA REG. 2 AND/OR DMS REG. 1	RATING
---------------------------------	----------------------------------	---	--	--------

5A. ISSUED BY  Procurement Contracting Office U.S. Embassy 1-10-5 Akasaka Minato-ku, Tokyo 107-8420	6. DELIVER BY (Date)
--	----------------------

5B. FOR INFORMATION CALL: (Name and telephone no.) (No collect calls)		7. DELIVERY <input checked="" type="checkbox"/> FOB DESTINATION OTHER (See Schedule)
NAME  Masao Chuma	TELEPHONE NUMBER AREA CODE    NUMBER +81            90-1110-9306	

8. TO:	9. DESTINATION
--------	----------------

a. NAME	b. COMPANY	a. NAME OF CONSIGNEE U.S. Embassy
---------	------------	--------------------------------------

c. STREET ADDRESS	b. STREET ADDRESS 1-10-5 Akasaka, Minato-ku
-------------------	--

d. CITY	e. STATE	f. ZIP CODE	c. CITY Tokyo	d. STATE	e. ZIP CODE 107-8420
---------	----------	-------------	------------------	----------	-------------------------

10. PLEASE FURNISH QUOTATIONS TO THE ISSUING OFFICE IN BLOCK 5A ON OR BEFORE: <b>Monday, May 22, 2023</b> <b>12:00 noon (JST)</b>	<b>IMPORTANT:</b> This is a request for information, and quotations furnished are not offers. If you are unable to quote, please so indicate on this form and return it to the address in Block 5A. This request does not commit the Government to pay any costs incurred in the preparation of the submission of this quotation or to contract for supplies or services. Supplies are of domestic origin unless otherwise indicated by quoter. Any representations and/or certifications attached to this Request for Quotations must be completed by the quoter
---	---

**11. SCHEDULE (Include applicable Federal, State and local taxes)**

ITEM NO. (a)	SUPPLIES/SERVICES (b)	QUANTITY (c)	UNIT (d)	UNIT PRICE (e)	AMOUNT (f)
1	Audio-Visual Components Furnishing and Installation Services for the U.S. Embassy in Tokyo, Japan, in accordance with terms and conditions of the contract.  This RFQ incorporates FAR clause 52.212-4 and provision 52.212-1 by reference.				(See subsection 1.1.3 Pricing under Section 1)

12 DISCOUNT FOR PROMPT PAYMENT	a. 10 CALENDAR DAYS %	b. 20 CALENDAR DAYS %	c. 30 CALENDAR DAYS %	d. CALENDAR DAYS NUMBER    %
--------------------------------	--------------------------	--------------------------	--------------------------	---------------------------------

NOTE: Additional provisions and representations [  ] are [ ] are not attached.

13 NAME AND ADDRESS OF QUOTER a. NAME and ADDRESS OF QUOTER (COMPANY)			14 SIGNATURE OF PERSON AUTHORIZED TO SIGN QUOTATION		15 DATE OF QUOTATION	
c. COUNTY						
d. CITY			16. SIGNER a. NAME (Type or print)		b. TELEPHONE	
e. STATE		f. ZIP CODE	c. TITLE (Type or print)		AREA CODE	
					NUMBER	

TABLE OF CONTENTS

Standard Form 18 (SF-18), the first page

Section 1: The Schedule

1.1 Continuation to SF-18, Request for Quotations (RFQ) Number  
19JA8023Q0024, Blocks 11(f), Amount

1.2 Continuation to SF-18, Request for Quotations (RFQ) Number  
19JA8023Q0024, Block 11(b), Schedule of Supplies/Services

Section 2: Contract Clauses

2.1 Contract Clauses

2.2 Addendum to Contract Clauses - FAR and DOSAR Clauses not  
Prescribed in Part 12

Section 3: Solicitation Provisions

3.1 Solicitation Provisions

3.2 Summary of Instructions

3.3 Addendum to Solicitation Provisions - FAR and DOSAR Provisions  
not Prescribed in Part 12

Section 4: Evaluation Factors

4.1 Evaluation Factors

4.2 Addendum to Addendum to Evaluation Factors - FAR and DOSAR  
Provisions not Prescribed in Part 12

Section 5 - Representations and Certifications

5.1 Offeror Representations and Certifications

Attachments:

Attachment - I: Diagram

Attachment - II: Floor Plan

## Section 1: The Schedule

1.1 Continuation to SF-18, Request for Quotations (RFQ) Number 19JA8023Q0024, Blocks 11(f), Amount

### 1.1.1 Scope of Contract

(a) The Contractor shall furnish, deliver, and install of Audio-Visual Components for the U.S. Embassy in Tokyo, Japan, in accordance with the specifications and terms and conditions set forth herein.

(b) The prices listed below shall include, but not limited to, all labor, materials, insurance (see FAR 52.228-4 and 52.228-5), overhead, profit, installation, and transportation.

### 1.1.2 Offers and Payment in U.S. Dollars

(1) U.S. firms are eligible to be paid in U.S. dollars. U.S. firms desiring to be paid in U.S. dollars should submit their offers in U.S. dollars. A U.S. firm is defined as a company which operates as a corporation incorporated under the laws of a state within the United States.

(2) Foreign Firms. Any firm, which is not a U.S. firm, is a foreign firm. Any firm that does not meet the above definition of U.S. firm shall submit its prices and receive payment in Japanese Yen.

### 1.1.3 Pricing

Carrying out the Audio-Visual Components Furnishing and Installation Services, in accordance with subsection 1.2 - Schedule of Supplies/Services:

Grand Total Price: \_\_\_\_\_

1.1.4 The U.S. Embassy Tokyo is exempt from Japanese consumption taxes; therefore, such taxes shall not be included in the price nor charged on invoices. After receipt of the Contractor's invoice, the U.S. Government will provide the Contractor with a signed Certificate of Tax Exemption Purchase for Foreign Establishments.

\* For non-Designated Stores, please visit the following link for registration:

[https://www.mofa.go.jp/mofaj/ms/po/page22\\_003420.html](https://www.mofa.go.jp/mofaj/ms/po/page22_003420.html) (Japanese)

[https://www.mofa.go.jp/ms/po/page22e\\_000946.html](https://www.mofa.go.jp/ms/po/page22e_000946.html) (English)

1.2 Continuation to SF-18, Request for Quotations (RFQ) Number 19JA8023Q0024, Block 11(b), Schedule of Supplies/Services

#### 1.2.1 Statement of Work

(a) The Contractor shall furnish and install new Audio-Visual components to the Auditorium and the A/V room of the U.S. Embassy in Tokyo, Japan, in accordance with the specifications and terms and conditions set forth herein.

(b) The prices shall include all labor, materials, equipment, one year warranty, overhead, profit, delivery, and transportation necessary to deliver the required items to the U.S. Embassy Tokyo.

#### 1.2.2 Specifications

(a) The contractor shall furnish required Audio-Visual products as specified in the paragraph 1.2.2(c) List of Items to be purchased below for U.S. Embassy Tokyo in Japan and deliver them to the location as specified in the paragraph 1.2.2(b) Delivery Location below.

##### (b) Delivery Location

The Contractor shall deliver all ordered items to the following location: (Note: Point of contact, telephone numbers and email address are to be provided after contract award.)

*U.S. Embassy  
1-10-5 Akasaka  
Minato-ku, Tokyo 107-8420  
Attn: Receiving Office (for ISC)  
PO# (to be determined)*

(c) List of Items to be Purchased

The list of items below must be new and never used before. The Contractor shall furnish the models with specification as shown below or their equivalent:

1) Yamaha TF Rack

The item must include Power Cable.  
or equivalent item meeting at least the following specification

- Rack-mountable Digital Mixer with 16 analog inputs and outputs or more
- 8 or more user defined keys to recall settings
- Built-in touch panel to control faders
- Built-in Dante Network Connection
- Built-in Dan Dugan auto-mixing system

2) Yamaha QL5 with Rio 1608-D2

The item must include Power Cable  
or equivalent item meeting at least the following specification

- Digital Mixing Console with 32 Input faders on the surface
- Built-in touch panel to control faders
- Built-in Dante Network Connection
- Built-in Dan Dugan auto-mixing system
- Compatible Digital StageBox (must have 16 XLR inputs and 8 XLR outputs or more)
- The same manufacture as the item (1.2.2(c)1))

3) Shure Microflex Wireless System

The item must include Ac Adapter, Power Cable, and compatible long gooseneck microphones (MXW8 x 16 units), 8-channel Accesspoint Recievers (MXWAPT8 x 2 units), Network Charge Stations (MXWNCS8 x 4 units) and 8-channel Audio Network Interfaces (MXWANI8 x 2 units).

or equivalent item meeting at least the following specification

- 1.9GHz Wireless System
- Dante Network Connection
- Analog Outputs
- CISCO Solution Partner
- 16 channels total and expandable
- AES256 bit encryption equipped
- Compatible Audio Network Interface must have 4 port Gigabit switch, analog outputs, and Dante Network connection

- Compatible gooseneck microphone must have length of 10inch(25cm) and more with indicator LED which shows two colors for on/off

## 4) Shure ULX-D

The item must include Ac Adapter, Power Cable, and compatible receivers (ULDX4Q and ULDX4D), handheld microphones (ULX-D2/B58 x 6 units), antenna amplifier (UA834WB x 2 units), and charge stations (SBC220 x 3 units).

or equivalent item meeting at least the following specification

- 24bit/48kHz Digital Wireless System (B: 806Hz-810Hz)
- Dante Network Connection
- AES256 bit encryption equipped
- Optimized frequency scanning
- Compatible transmitter(microphones) must use rechargeable Lithium-Ion batteries
- 6 channels total and expandable
- The same manufacture as the item (1.2.2(c)3))

## 5) ELS-1622AoIP Dante / PoE+ Gigabit Switch (2 units)

The item must include Power Cable

or equivalent item meeting at least the following specification

- Dante Compatibility
- 16port 10/100/1000Base-T PoE, Gigabit SFP/RJ45 Copper Combo Ports x2
- Support PoE+ devices

## 6) JBL AM5212/95 2-Way Full Range Speakers (2 units) and Crown CDi-600 Power Amplifier

The item must include Power Cable, Bracket, and safety wires.

or equivalent item meeting at least the following specification

- Must cover the room (13m x 15.5m x 6m) with more than enough loudness (Max SPL: 120dB~)
- Must fit in the space in the wall (1m x 0.8m x 0.8m)
- Must be 2-Way Full Range (covering 40Hz-20kHz) / Passive Speakers
- Power Amplifier must have enough or more power for the speakers

## 7) Furman Power Sequencer CN-1800S

The item must include Power Cable

or equivalent item meeting at least the following specification

- Power sequencer with three delays (15A, 100VAC)
- More than 9 outlets total



- Noise Filter, Surge Filter, Extreme Voltage Shut Down
- Status LED
- Remote controllable with the control system below  
(1.2.2(C)8))

8) AMX Control System NX2200 with two Touch Panels MT-1002  
The item must include Power Cable, programing, and compatible touch panels (2 units).

or equivalent item meeting at least the following specification

- Cryptographic Support - In accordance with FIPS 104-2
- Must be programed to control both new equipment and existing devices such as projector (NEC NP-PA723UJL), HDMI Switcher (IOGEAR AVIOR 4x1HDAudio/Video Switch), and screen.
- Two touch panels must be programmed differently for users and technicians.
- Touch panels must be 10inch or bigger.
- Re-programable to add more devices and functions.

9) ELS-0811PoE+ Gigabit Switch (2 units)

The item must include Power Cable  
or equivalent item meeting at least the following specification

- Support the Control System (1.2.2(c)8))
- PoE/LAN Port x 8

(d) Installation

The equipment above must be installed with the existing Audio-Visual system in the Auditorium and A/V room 2<sup>nd</sup> floor (**\* See Attachment I - Auditorium Modernization (Diagram) & Attachment II - Auditorium Modernization (Floor Plan)**). The rack-mountable items (1.2.2(c)1, 3, 4, 5, 7, 8)) must be installed in the existing audio rack inside the audio closet. 28U rack in the closet and 10U rack in the A/V room will be provided by the Embassy. The new speakers (1.2.2(c)6)) must be installed to replace the existing speakers in the speaker cabinet with brackets and safety wires. The Embassy will keep all the existing equipment which would be removed and replaced during the installation. All the cabling between equipment, proper labeling, and programming are included.

Two Category 6 lines between the Audio Closet in the Auditorium and the 2nd floor A/V room will be provided before this installation.

(e) The Contractor shall arrange a delivery date and installation dates with the Embassy staff.

- (f) The Contractor shall provide the service level as follows,
- 1) One year warranty for every aspect of the installations available to be contacted via phone in English or Japanese between 9:00am and 5:00pm local Japanese time, standard business days (Monday to Friday)
  - 2) Any replacement of the item (1.2.2(c)8)) while repairing or re-programing (if necessary) within 1-2 business days

(g) Test operation

After all the installations are completed, the Contractor shall perform test operation and adjustment of the A/V system to ensure that the system operate in conformity to the operation parameters intended.

(h) The Contractor shall provide all the documentation including wiring diagrams after the installation.

(i) All work, either in progress or in completed state under this contract, shall be continuously protected by the Contractor against damage, and shall be so secured as to preclude any accidents or damages to adjacent property or personnel, until turn over to and accepted by the Government. Protective clothing will be worn at all times by the Contractor employees during the execution of this area prior to turnover to the Government. The Contractor shall not display signs or advertisements at any time on or adjacent to the premises.

### 1.2.3 Laws and Regulations

(a) Compliance Required. The Contractor shall, without additional expense to the Government, be responsible for complying with all host country laws, codes, ordinances, and regulations applicable to the performance of the work, and with the lawful orders of any governmental authority having jurisdiction. Host country authorities may not enter the construction site without the permission of the Contracting Officer. Unless directed by the Contracting Officer, the contractor shall comply with the more stringent of:

- (1) the requirements of such laws, regulations, and orders; or the contract.
- (2) If a conflict among the contract and such laws, regulations and orders, the Contractor shall promptly advise the Contracting Officer of the conflict and recommend a proposed course of action for resolution by the Contracting Officer.

(b) Labor, Health and Safety Laws, and Customs. The Contractor shall comply with all local labor regulations, customs and practices pertaining to labor, safety, and similar matters, to the extent that such compliance is not inconsistent with the requirements of this contract.

(C) Evidence of Compliance. The Contractor shall submit proper documentation and evidence satisfactory to the Contracting Officer of compliance with this clause.

#### 1.2.4 Contractor Responsibility

(a) The Contractor shall provide all labor, tools, materials, equipment, supervision, and services, unless otherwise specified, to complete the work covered with the contract. All the work and procedures shall be performed in conformity to the specifications and work requirements herein. All local labor standards for occupational safety and health apply to this contract.

(b) Hazardous Materials. The Contractor shall provide the U.S. Government a hazardous material (HM) inventory and material safety data sheets (MSDS) in English before any such HM comes to the work site.

(c) Contractor Personnel. The Contractor shall ensure that all personnel employed in the performance of this contract are qualified and possess the necessary licenses required in their respective trades.

(d) The Contractor shall provide all labor, tools, materials, equipment, supervision, and services, unless otherwise specified, to complete the work covered with the contract. All the work and procedures shall be performed in conformity to the specifications and work requirements herein. All local labor standards for occupational safety and health apply to this contract.

(e) Schedule of Work. No work on site shall be commenced prior to the approval of the Contracting Officer's Representative (COR).

(f) Inspection and acceptance by the U.S. Government. The U.S. Government reserves a right to inspect and test all the work under this contract at any time. If any of the work does not conform to the contract requirements and/or specifications, the U.S. Government may require the Contractor to perform the services again at no additional cost to the U.S. Government.

(g) The Contractor shall be liable for disposal of all debris produced from the contracted work in compliance with applicable local codes for industrial waste disposal.

(h) All work, either in progress or in a completed state under this contract, shall be continuously protected by the Contractor

against any damage, and shall be so secured as to preclude any accident or damage to adjacent property or personnel, until turned over to and accepted by the U.S. Government. Upon completion of all the work under this contract, the Contractor shall thoroughly clean all the construction areas prior to turnover to the U.S. Government.

## Section 2: Contract Clauses

### 2.1 Contract Clauses

FAR 52.212-4 Contract Terms and Conditions - Commercial Items (NOV 2021) is incorporated by reference (see SF-18, Block 11(b)).

"None"

FAR 52.212-5 Contract Terms and Conditions Required to Implement Statutes or Executive Orders—Commercial Products and Commercial Services (Dec 2022)

(a) The Contractor shall comply with the following Federal Acquisition Regulation (FAR) clauses, which are incorporated in this contract by reference, to implement provisions of law or Executive orders applicable to acquisitions of commercial items:

- (1) [52.203-19](#), Prohibition on Requiring Certain Internal Confidentiality Agreements or Statements (JAN 2017) (section 743 of Division E, Title VII, of the Consolidated and Further Continuing Appropriations Act, 2015 (Pub. L. 113-235) and its successor provisions in subsequent appropriations acts (and as extended in continuing resolutions)).
- (2) [52.204-23](#), Prohibition on Contracting for Hardware, Software, and Services Developed or Provided by Kaspersky Lab and Other Covered Entities (NOV 2021) (Section 1634 of Pub. L. 115-91).
- (3) [52.204-25](#), Prohibition on Contracting for Certain Telecommunications and Video Surveillance Services or Equipment. (NOV 2021) (Section 889(a)(1)(A) of Pub. L. 115-232).
- (4) [52.209-10](#), Prohibition on Contracting with Inverted Domestic Corporations (NOV 2015).
- (5) [52.233-3](#), Protest After Award (AUG 1996) ([31 U.S.C. 3553](#)).
- (6) [52.233-4](#), Applicable Law for Breach of Contract Claim (OCT 2004) (Public Laws 108-77 and 108-78 ([19 U.S.C. 3805 note](#))).

(b) The Contractor shall comply with the FAR clauses in this paragraph (b) that the Contracting Officer has indicated as being incorporated in this contract by reference to implement provisions of law or Executive orders applicable to acquisitions of commercial items:

- \_\_\_ (1) [52.203-6](#) Restrictions on Subcontractor Sales to the Government (JUN 2020), with Alternate I (NOV 2021) ([41 U.S.C. 4704](#) and [10 U.S.C. 2402](#)).
- \_\_\_ (2) [52.203-13](#), Contractor Code of Business Ethics and Conduct (NOV 2021) ([41 U.S.C. 3509](#))).

- \_\_\_ (3) [52.203-15](#), Whistleblower Protections under the American Recovery and Reinvestment Act of 2009 (JUN 2010) (Section 1553 of Pub. L. 111-5). (Applies to contracts funded by the American Recovery and Reinvestment Act of 2009.)
- ✓ (4) [52.204-10](#), Reporting Executive Compensation and First-Tier Subcontract Awards (JUN 2020) (Pub. L. 109-282) ([31 U.S.C. 6101 note](#)).
- \_\_\_ (5) [Reserved].
- ✓ (6) [52.204-14](#), Service Contract Reporting Requirements (OCT 2016) (Pub. L. 111-117, section 743 of Div. C).
- \_\_\_ (7) [52.204-15](#), Service Contract Reporting Requirements for Indefinite-Delivery Contracts (OCT 2016) (Pub. L. 111-117, section 743 of Div. C).
- ✓ (8) [52.209-6](#), Protecting the Government's Interest When Subcontracting with Contractors Debarred, Suspended, or Proposed for Debarment. (NOV 2021) ([31 U.S.C. 6101 note](#)).
- \_\_\_ (9) [52.209-9](#), Updates of Publicly Available Information Regarding Responsibility Matters (OCT 2018) ([41 U.S.C. 2313](#))
- \_\_\_ (10) [Reserved].
- \_\_\_ (11) (i) [52.219-3](#), Notice of HUBZone Set-Aside or Sole-Source Award (OCT 2022) ([15 U.S.C. 657a](#)).
- \_\_\_ (12) (i) [52.219-4](#), Notice of Price Evaluation Preference for HUBZone Small Business Concerns (OCT 2022) (if the offeror elects to waive the preference, it shall so indicate in its offer) ([15 U.S.C. 657a](#)).
- \_\_\_ (13) [Reserved]
- \_\_\_ (14) (i) [52.219-6](#), Notice of Total Small Business Set-Aside (NOV 2020) ([15 U.S.C. 644](#)).
- \_\_\_ (ii) Alternate I (MAR 2020) of [52.219-6](#).
- \_\_\_ (15) (i) [52.219-7](#), Notice of Partial Small Business Set-Aside (NOV 2020) ([15 U.S.C. 644](#)).
- \_\_\_ (ii) Alternate I (MAR 2020) of [52.219-7](#).
- \_\_\_ (16) [52.219-8](#), Utilization of Small Business Concerns (OCT 2022) ([15 U.S.C. 637\(d\)\(2\)](#) and (3)).
- \_\_\_ (17) (i) [52.219-9](#), Small Business Subcontracting Plan (OCT 2022) ([15 U.S.C. 637\(d\)\(4\)](#))
- \_\_\_ (ii) Alternate I (NOV 2016) of [52.219-9](#).
- \_\_\_ (iii) Alternate II (NOV 2016) of [52.219-9](#).
- \_\_\_ (iv) Alternate III (JUN 2020) of [52.219-9](#).
- \_\_\_ (v) Alternate IV (SEP 2021) of [52.219-9](#)
- \_\_\_ (18) (i) [52.219-13](#), Notice of Set-Aside of Orders (MAR 2020) ([15 U.S.C. 644\(r\)](#)).
- \_\_\_ (ii) Alternate I (MAR 2020) of [52.219-13](#).
- \_\_\_ (19) [52.219-14](#), Limitations on Subcontracting (OCT 2022) ([15 U.S.C. 637\(a\)\(14\)](#)).
- \_\_\_ (20) [52.219-16](#), Liquidated Damages-Subcontracting Plan (SEP 2021) ([15 U.S.C. 637\(d\)\(4\)\(F\)\(i\)](#)).
- \_\_\_ (21) [52.219-27](#), Notice of Service-Disabled Veteran-Owned Small Business Set-Aside (OCT 2022) ([15 U.S.C. 657 f](#)).
- \_\_\_ (22) (i) [52.219-28](#), Post Award Small Business Program Representation (OCT 2022) ([15 U.S.C. 632\(a\)\(2\)](#)).

- (ii) Alternate I (MAR 2020) of [52.219-28](#).
- \_\_\_ (23) [52.219-29](#), Notice of Set-Aside for, or Sole Source Award to, Economically Disadvantaged Women-Owned Small Business Concerns (OCT 2022) ([15 U.S.C. 637\(m\)](#)).
- \_\_\_ (24) [52.219-30](#), Notice of Set-Aside for, or Sole Source Award to, Women-Owned Small Business Concerns Eligible Under the Women-Owned Small Business Program (OCT 2022) ([15 U.S.C. 637\(m\)](#)).
- \_\_\_ (25) [52.219-32](#), Orders Issued Directly Under Small Business Reserves (MAR 2020) (15 U.S.C. 644(r)).
- \_\_\_ (26) [52.219-33](#), Nonmanufacturer Rule (SEP 2021) (15 U.S.C. 637(a) (17)).
- \_\_\_ (27) [52.222-3](#), Convict Labor (JUN 2003) (E.O. 11755).
- ✓ (28) [52.222-19](#), Child Labor. Cooperation with Authorities and Remedies (DEC 2022) (E.O. 13126).
- \_\_\_ (29) [52.222-21](#), Prohibition of Segregated Facilities (APR 2015).
- ✓ (30) (i) [52.222-26](#), Equal Opportunity (SEP 2016) (E.O. 11246).  
(ii) Alternate I (FEB 1999) of [52.222-26](#).
- \_\_\_ (31) (i) [52.222-35](#), Equal Opportunity for Veterans (JUN 2020) ([38 U.S.C. 4212](#)).  
(ii) Alternate I (JUL 2014) of [52.222-35](#).
- \_\_\_ (32) (i) [52.222-36](#), Equal Opportunity for Workers with Disabilities (JUN 2020) ([29 U.S.C. 793](#)).  
(ii) Alternate I (JUL 2014) of [52.222-36](#).
- \_\_\_ (33) [52.222-37](#), Employment Reports on Veterans (JUN 2020) (38 U.S.C. 4212).
- \_\_\_ (34) [52.222-40](#), Notification of Employee Rights Under the National Labor Relations Act (DEC 2010) (E.O. 13496).
- ✓ (35) (i) [52.222-50](#), Combating Trafficking in Persons (NOV 2021) ([22 U.S.C. chapter 78](#) and E.O. 13627).  
(ii) Alternate I (MAR 2015) of [52.222-50](#) ([22 U.S.C. chapter 78](#) and E.O. 13627).
- \_\_\_ (36) [52.222-54](#), Employment Eligibility Verification (MAY 2022). (Executive Order 12989). (Not applicable to the acquisition of commercially available off-the-shelf items or certain other types of commercial items as prescribed in [22.1803](#).)
- \_\_\_ (37) (i) [52.223-9](#), Estimate of Percentage of Recovered Material Content for EPA-Designated Items (MAY 2008) ([42 U.S.C. 6962\(c\)\(3\)\(A\)\(ii\)](#)). (Not applicable to the acquisition of commercially available off-the-shelf items.)  
(ii) Alternate I (MAY 2008) of [52.223-9](#) ([42 U.S.C. 6962\(i\)\(2\)\(C\)](#)). (Not applicable to the acquisition of commercially available off-the-shelf items.)
- \_\_\_ (38) [52.223-11](#), Ozone-Depleting Substances and High Global Warming Potential Hydrofluorocarbons (JUN 2016) (E.O. 13693).
- \_\_\_ (39) [52.223-12](#), Maintenance, Service, Repair, or Disposal of Refrigeration Equipment and Air Conditioners (JUN 2016) (E.O. 13693).

- \_\_\_ (40) (i) [52.223-13](#), Acquisition of EPEAT®-Registered Imaging Equipment (JUN 2014) (E.O.s 13423 and 13514).
- \_\_\_ (ii) Alternate I (OCT 2015) of [52.223-13](#).
- \_\_\_ (41) (i) [52.223-14](#), Acquisition of EPEAT®-Registered Televisions (JUN 2014) (E.O.s 13423 and 13514).
- \_\_\_ (ii) Alternate I (JUN 2014) of [52.223-14](#).
- \_\_\_ (42) [52.223-15](#), Energy Efficiency in Energy-Consuming Products (MAY 2020) ([42 U.S.C. 8259b](#)).
- \_\_\_ (43) (i) [52.223-16](#), Acquisition of EPEAT®-Registered Personal Computer Products (OCT 2015) (E.O.s 13423 and 13514).
- \_\_\_ (ii) Alternate I (JUN 2014) of [52.223-16](#).
- ✓ (44) [52.223-18](#), Encouraging Contractor Policies to Ban Text Messaging While Driving (JUN 2020) (E.O. 13513).
- \_\_\_ (45) [52.223-20](#), Aerosols (JUN 2016) (E.O. 13693).
- \_\_\_ (46) [52.223-21](#), Foams (JUN 2016) (E.O. 13693).
- \_\_\_ (47) (i) [52.224-3](#), Privacy Training (JAN 2017) (5 U.S.C. 552a).
- \_\_\_ (ii) Alternate I (JAN 2017) of [52.224-3](#).
- \_\_\_ (48) [52.225-1](#), Buy American-Supplies (OCT 2022) ([41 U.S.C. chapter 83](#)).
- \_\_\_ (49) (i) [52.225-3](#), Buy American.Free Trade Agreements.Israeli Trade Act (DEC 2022) ([41 U.S.C. chapter 83](#), [19 U.S.C. 3301](#) note, [19 U.S.C. 2112](#) note, [19 U.S.C. 3805](#) note, [19 U.S.C. 4001](#) note, Pub. L. 103-182, 108-77, 108-78, 108-286, 108-302, 109-53, 109-169, 109-283, 110-138, 112-41, 112-42, and 112-43).
- \_\_\_ (ii) Alternate I [Reserved].
- \_\_\_ (iii) Alternate II (DEC 2022) of [52.225-3](#).
- \_\_\_ (iv) Alternate III (JAN 2021) of [52.225-3](#).
- \_\_\_ (v) Alternate IV (OCT 2022) of [52.225-3](#).
- \_\_\_ (50) [52.225-5](#), Trade Agreements (DEC 2022) ([19 U.S.C. 2501](#), et seq., [19 U.S.C. 3301](#) note).
- ✓ (51) [52.225-13](#), Restrictions on Certain Foreign Purchases (FEB 2021) (E.O.'s, proclamations, and statutes administered by the Office of Foreign Assets Control of the Department of the Treasury).
- \_\_\_ (52) [52.225-26](#), Contractors Performing Private Security Functions Outside the United States (OCT 2016) (Section 862, as amended, of the National Defense Authorization Act for Fiscal Year 2008; 10 U.S.C. Subtitle A, Part V, Subpart G Note).
- \_\_\_ (53) [52.226-4](#), Notice of Disaster or Emergency Area Set-Aside (NOV 2007) ([42 U.S.C. 5150](#)).
- \_\_\_ (54) [52.226-5](#), Restrictions on Subcontracting Outside Disaster or Emergency Area (NOV 2007) ([42 U.S.C. 5150](#)).
- \_\_\_ (55) [52.229-12](#), Tax on Certain Foreign Procurements (FEB 2021).
- ✓ (56) [52.232-29](#), Terms for Financing of Purchases of Commercial Products and Commercial Services (Nov 2021) ([41 U.S.C. 4505](#), [10 U.S.C. 3805](#)).



- \_\_\_ (57) [52.232-30](#), Installment Payments for Commercial Products and Commercial Services (Nov 2021) ( [41 U.S.C. 4505](#), [10 U.S.C. 3805](#) ).
- ✓ \_\_\_ (58) [52.232-33](#), Payment by Electronic Funds Transfer-System for Award Management (OCT 2018) ( [31 U.S.C. 3332](#) ).
- \_\_\_ (59) [52.232-34](#), Payment by Electronic Funds Transfer-Other than System for Award Management (JUL 2013) ( [31 U.S.C. 3332](#) ).
- \_\_\_ (60) [52.232-36](#), Payment by Third Party (MAY 2014) ( [31 U.S.C. 3332](#) ).
- \_\_\_ (61) [52.239-1](#), Privacy or Security Safeguards (AUG 1996) ( [5 U.S.C. 552a](#) ).
- \_\_\_ (62) [52.242-5](#), Payments to Small Business Subcontractors (JAN 2017) (15 U.S.C. 637(d)(12)).
- \_\_\_ (63) (i) [52.247-64](#), Preference for Privately Owned U.S.-Flag Commercial Vessels (NOV 2021) ( [46 U.S.C. Appx. 1241\(b\)](#) and [10 U.S.C. 2631](#) ).
  - \_\_\_ (ii) Alternate I (APR 2003) of [52.247-64](#).
  - \_\_\_ (iii) Alternate II (NOV 2021) of [52.247-64](#).

(c) The Contractor shall comply with the FAR clauses in this paragraph (c), applicable to commercial services, that the Contracting Officer has indicated as being incorporated in this contract by reference to implement provisions of law or Executive orders applicable to acquisitions of commercial items:

- \_\_\_ (1) [52.222-41](#), Service Contract Labor Standards (AUG 2018) ( [41 U.S.C. chapter 67](#) ).
- \_\_\_ (2) [52.222-42](#), Statement of Equivalent Rates for Federal Hires (MAY 2014) ( [29 U.S.C. 206](#) and [41 U.S.C. chapter 67](#) ).
- \_\_\_ (3) [52.222-43](#), Fair Labor Standards Act and Service Contract Labor Standards-Price Adjustment (Multiple Year and Option Contracts) (AUG 2018) ( [29 U.S.C. 206](#) and [41 U.S.C. chapter 67](#) ).
- \_\_\_ (4) [52.222-44](#), Fair Labor Standards Act and Service Contract Labor Standards.Price Adjustment (MAY 2014) ( [29 U.S.C. 206](#) and [41 U.S.C. chapter 67](#) ).
- \_\_\_ (5) [52.222-51](#), Exemption from Application of the Service Contract Labor Standards to Contracts for Maintenance, Calibration, or Repair of Certain Equipment-Requirements (MAY 2014) ( [41 U.S.C. chapter 67](#) ).
- \_\_\_ (6) [52.222-53](#), Exemption from Application of the Service Contract Labor Standards to Contracts for Certain Services-Requirements (MAY 2014) ( [41 U.S.C. chapter 67](#) ).
- \_\_\_ (7) [52.222-55](#), Minimum Wages Under Executive Order 13658 (JAN 2022).
- \_\_\_ (8) [52.222-62](#), Paid Sick Leave Under Executive Order 13706 (JAN 2022) (E.O. 13706).
- \_\_\_ (9) [52.226-6](#), Promoting Excess Food Donation to Nonprofit Organizations (JUN 2020) ( [42 U.S.C. 1792](#) ).

(d) Comptroller General Examination of Record. The Contractor shall comply with the provisions of this paragraph (d) if this contract was awarded using other than sealed bid, is in excess of the simplified acquisition threshold, as defined in FAR [2.101](#), on the date of award of this contract, and does not contain the clause at [52.215-2](#), Audit and Records-Negotiation.

(1) The Comptroller General of the United States, or an authorized representative of the Comptroller General, shall have access to and right to examine any of the Contractor's directly pertinent records involving transactions related to this contract.

(2) The Contractor shall make available at its offices at all reasonable times the records, materials, and other evidence for examination, audit, or reproduction, until 3 years after final payment under this contract or for any shorter period specified in FAR [subpart 4.7](#), Contractor Records Retention, of the other clauses of this contract. If this contract is completely or partially terminated, the records relating to the work terminated shall be made available for 3 years after any resulting final termination settlement. Records relating to appeals under the disputes clause or to litigation or the settlement of claims arising under or relating to this contract shall be made available until such appeals, litigation, or claims are finally resolved.

(3) As used in this clause, records include books, documents, accounting procedures and practices, and other data, regardless of type and regardless of form. This does not require the Contractor to create or maintain any record that the Contractor does not maintain in the ordinary course of business or pursuant to a provision of law.

(e)(1) Notwithstanding the requirements of the clauses in paragraphs (a), (b), (c), and (d) of this clause, the Contractor is not required to flow down any FAR clause, other than those in this paragraph (e)(1) in a subcontract for commercial items. Unless otherwise indicated below, the extent of the flow down shall be as required by the clause.

(i) [52.203-13](#), Contractor Code of Business Ethics and Conduct (NOV 2021) ([41 U.S.C. 3509](#)).

(ii) [52.203-19](#), Prohibition on Requiring Certain Internal Confidentiality Agreements or Statements (JAN 2017) (section 743 of Division E, Title VII, of the Consolidated and Further Continuing Appropriations Act, 2015 (Pub. L. 113-235) and its successor provisions in subsequent appropriations acts (and as extended in continuing resolutions)).

(iii) [52.204-23](#), Prohibition on Contracting for Hardware, Software, and Services Developed or Provided by Kaspersky Lab and Other Covered Entities (NOV 2021) (Section 1634 of Pub. L. 115-91).

- (iv) [52.204-25](#), Prohibition on Contracting for Certain Telecommunications and Video Surveillance Services or Equipment. (NOV 2021) (Section 889(a)(1)(A) of Pub. L. 115-232).
- (v) [52.219-8](#), Utilization of Small Business Concerns (OCT 2022) ([15 U.S.C. 637\(d\)\(2\)](#) and (3)), in all subcontracts that offer further subcontracting opportunities. If the subcontract (except subcontracts to small business concerns) exceeds the applicable threshold specified in FAR [19.702\(a\)](#) on the date of subcontract award, the subcontractor must include [52.219-8](#) in lower tier subcontracts that offer subcontracting opportunities.
- (vi) [52.222-21](#), Prohibition of Segregated Facilities (APR 2015)
- (vii) [52.222-26](#), Equal Opportunity (SEP 2015) (E.O. 11246).
- (viii) [52.222-35](#), Equal Opportunity for Veterans (JUN 2020) ([38 U.S.C. 4212](#)).
- (ix) [52.222-36](#), Equal Opportunity for Workers with Disabilities (JUN 2020) ([29 U.S.C. 793](#)).
- (x) [52.222-37](#), Employment Reports on Veterans (JUN 2020) ([38 U.S.C. 4212](#))
- (xi) [52.222-40](#), Notification of Employee Rights Under the National Labor Relations Act (DEC 2010) (E.O. 13496). Flow down required in accordance with paragraph (f) of FAR clause [52.222-40](#).
- (xii) [52.222-41](#), Service Contract Labor Standards (AUG 2018) ([41 U.S.C. chapter 67](#)).
- (xiii)
  - (A) [52.222-50](#), Combating Trafficking in Persons (NOV 2022) ([22 U.S.C. chapter 78](#) and E.O 13627).
  - (B) Alternate I (MAR 2015) of [52.222-50](#) ([22 U.S.C. chapter 78 and E.O 13627](#)).
- (xiv) [52.222-51](#), Exemption from Application of the Service Contract Labor Standards to Contracts for Maintenance, Calibration, or Repair of Certain Equipment-Requirements (MAY 2014) ([41 U.S.C. chapter 67](#)).
- (xv) [52.222-53](#), Exemption from Application of the Service Contract Labor Standards to Contracts for Certain Services-Requirements (MAY 2014) ([41 U.S.C. chapter 67](#)).
- (xvi) [52.222-54](#), Employment Eligibility Verification (OCT 2015) (E.O. 12989).
- (xvii) [52.222-55](#), Minimum Wages Under Executive Order 14026 (JAN 2022).
- (xviii) [52.222-62](#), Paid Sick Leave Under Executive Order 13706 (JAN 2022) (E.O. 13706).
- (xix) (A) [52.224-3](#), Privacy Training (JAN 2017) ([5 U.S.C. 552a](#)).
- (B) Alternate I (JAN 2017) of [52.224-3](#).
- (xx) [52.225-26](#), Contractors Performing Private Security Functions Outside the United States (OCT 2016) (Section 862, as amended, of the National Defense Authorization Act for Fiscal Year 2008; 10 U.S.C. Subtitle A, Part V, Subpart G Note).
- (xxi) [52.226-6](#), Promoting Excess Food Donation to Nonprofit Organizations (JUN 2020) ([42 U.S.C. 1792](#)). Flow down required in accordance with paragraph (e) of FAR clause [52.226-6](#).

(xxii) [52.247-64](#), Preference for Privately Owned U.S.-Flag Commercial Vessels (NOV 2021) ([46 U.S.C. Appx. 1241\(b\)](#) and [10 U.S.C. 2631](#)). Flow down required in accordance with paragraph (d) of FAR clause [52.247-64](#).

(2) While not required, the Contractor may include in its subcontracts for commercial items a minimal number of additional clauses necessary to satisfy its contractual obligations.

(End of clause)

*Alternate I* (FEB 2000). As prescribed in [12.301\(b\)\(4\)\(i\)](#), delete paragraph (d) from the basic clause, redesignate paragraph (e) as paragraph (d), and revise the reference to "paragraphs (a), (b), (c), or (d) of this clause" in the redesignated paragraph (d) to read "paragraphs (a), (b), and (c) of this clause".

*Alternate II* (DEC 2022). As prescribed in [12.301\(b\)\(4\)\(ii\)](#), substitute the following paragraphs (d)(1) and (e)(1) for paragraphs (d)(1) and (e)(1) of the basic clause as follows:

(d)(1) The Comptroller General of the United States, an appropriate Inspector General appointed under section 3 or 8 G of the Inspector General Act of 1978 ([5 U.S.C. App.](#)), or an authorized representative of either of the foregoing officials shall have access to and right to—

(i) Examine any of the Contractor's or any subcontractors' records that pertain to, and involve transactions relating to, this contract; and

(ii) Interview any officer or employee regarding such transactions.

(e)(1) Notwithstanding the requirements of the clauses in paragraphs (a), (b), and (c), of this clause, the Contractor is not required to flow down any FAR clause in a subcontract for commercial products or commercial services, other than—

(i) *Paragraph (d) of this clause*. This paragraph flows down to all subcontracts, except the authority of the Inspector General under paragraph (d)(1)(ii) does not flow down; and

(ii) *Those clauses listed in this paragraph (e)(1)*. Unless otherwise indicated below, the extent of the flow down shall be as required by the clause—

(A) [52.203-13](#), Contractor Code of Business Ethics and Conduct (Nov 2021) ([41 U.S.C. 3509](#)).

(B) [52.203-15](#), Whistleblower Protections Under the American Recovery and Reinvestment Act of 2009 (JUN 2010) (Section 1553 of Pub. L. 111-5).

(C) 52.204-23, Prohibition on Contracting for Hardware, Software, and Services Developed or Provided by Kaspersky Lab and Other Covered Entities (Nov 2021) (Section 1634 of Pub. L. 115-91).

(D) 52.204-25, Prohibition on Contracting for Certain Telecommunications and Video Surveillance Services or Equipment. (Nov 2021) (Section 889(a) (1) (A) of Pub. L. 115-232).

(E) [52.219-8](#), Utilization of Small Business Concerns (OCT 2022) ([15 U.S.C. 637\(d\) \(2\) and \(3\)](#)), in all subcontracts that offer further subcontracting opportunities. If the subcontract (except subcontracts to small business concerns) exceeds the applicable threshold specified in FAR [19.702](#)(a) on the date of subcontract award the subcontractor must include [52.219-8](#) in lower tier subcontracts that offer subcontracting opportunities.

(F) [52.222-21](#), Prohibition of Segregated Facilities (APR 2015).

(G) [52.222-26](#), Equal Opportunity (SEP 2016) (E.O. 11246).

(H) [52.222-35](#), Equal Opportunity for Veterans (JUN 2020) ( [38 U.S.C. 4212](#) ).

(I) [52.222-36](#), Equal Opportunity for Workers with Disabilities (JUN 2020) ( [29 U.S.C. 793](#) ).

(J) [52.222-40](#), Notification of Employee Rights Under the National Labor Relations Act (DEC 2010) (E.O. 13496). Flow down required in accordance with paragraph (f) of FAR clause [52.222-40](#).

(K) [52.222-41](#), Service Contract Labor Standards (AUG 2018) ( [41 U.S.C. chapter 67](#) ).

(L) \_\_\_\_ (1) [52.222-50](#), Combating Trafficking in Persons (Nov 2021) ([22 U.S.C. chapter 78](#) and E.O 13627).

\_\_\_\_ (2) Alternate I (MAR 2015) of [52.222-50](#) ( [22 U.S.C. chapter 78 and E.O. 13627](#) ).

(M) [52.222-51](#), Exemption from Application of the Service Contract Labor Standards to Contracts for Maintenance, Calibration, or Repair of Certain Equipment -Requirements (May 2014) ([41 U.S.C. chapter 67](#) ).

(N) [52.222-53](#), Exemption from Application of the Service Contract Labor Standards to Contracts for Certain Services-Requirements (MAY 2014) ( [41 U.S.C. chapter 67](#) ).

(O) [52.222-54](#), Employment Eligibility Verification (MAY 2022) (Executive Order 12989).

(P) [52.222-55](#), Minimum Wages for Contractor Workers Under Executive Order 14026 (JAN 2022).

(Q) [52.222-62](#), Paid Sick Leave Under Executive Order 13706 (JAN 2022) (E.O. 13706).

(R) (1) [52.224-3](#), Privacy Training (JAN 2017) ([5 U.S.C. 552a](#)).  
(2) Alternate I (JAN 2017) of [52.224-3](#).

(S) [52.225-26](#), Contractors Performing Private Security Functions Outside the United States (Oct 2016) (Section 862, as amended, of the National Defense Authorization Act for Fiscal Year 2008; 10 U.S.C. Subtitle A, Part V, Subpart G Note).

(T) [52.226-6](#), Promoting Excess Food Donation to Nonprofit Organizations. (JUN 2020) ([42 U.S.C. 1792](#)). Flow down required in accordance with paragraph (e) of FAR clause 52.226-6.

(U) [52.247-64](#), Preference for Privately Owned U.S.-Flag Commercial Vessels (Nov 2021) ([46 U.S.C. 55305](#) and [10 U.S.C. 2631](#)). Flow down required in accordance with paragraph (d) of FAR clause 52.247-64.

(End of clause)

Add the following clause in full text:

FAR 52.229-12 Tax on Certain Foreign Procurements (FEB 2021)

- (a) Definitions. As used in this clause—  
Foreign person means any person other than a United States person.  
United States person, as defined in [26 U.S.C. 7701](#)(a)(30), means—
- (1) A citizen or resident of the United States;
  - (2) A domestic partnership;
  - (3) A domestic corporation;
  - (4) Any estate (other than a foreign estate, within the meaning of [26 U.S.C. 7701](#)(a)(31)); and
  - (5) Any trust if—
    - (i) A court within the United States is able to exercise primary supervision over the administration of the trust; and
    - (ii) One or more United States persons have the authority to control all substantial decisions of the trust.

(b) This clause applies only to foreign persons. It implements [26 U.S.C. 5000C](#) and its implementing regulations at 26 CFR 1.5000C-1 through 1.5000C-7.

(c) (1) If the Contractor is a foreign person and has only a partial or no exemption to the withholding, the Contractor shall include the Department of the Treasury Internal Revenue Service Form W-14, Certificate of Foreign Contracting Party Receiving Federal Procurement Payments, with each voucher or invoice submitted under this contract throughout the period in which this status is applicable. The excise tax withholding is applied at the payment level, not at the contract level. The Contractor should revise each IRS Form W-14 submission to reflect the exemption (if any) that applies to that particular invoice, such as a different exemption applying. In the absence of a completed IRS Form W-14 accompanying a payment request, the default withholding percentage is 2 percent for the section 5000C withholding for that payment request. Information about IRS Form W-14 and its separate instructions is available via the internet at [www.irs.gov/w14](http://www.irs.gov/w14) .

(2) If the Contractor is a foreign person and has indicated in its offer in the provision [52.229-11](#), Tax on Certain Foreign Procurements—Notice and Representation, that it is fully exempt from the withholding, and certified the full exemption on the IRS Form W-14, and if that full exemption no longer applies due to a change in circumstances during the performance of the contract that causes the Contractor to become subject to the withholding for the 2 percent excise tax then the Contractor shall—

(i) Notify the Contracting Officer within 30 days of a change in circumstances that causes the Contractor to be subject to the excise tax withholding under [26 U.S.C. 5000C](#); and

(ii) Comply with paragraph (c) (1) of this clause.

(d) The Government will withhold a full 2 percent of each payment unless the Contractor claims an exemption. If the Contractor enters a ratio in Line 12 of the IRS Form W-14, the result of Line 11 divided by Line 10, the Government will withhold from each payment an amount equal to 2 percent multiplied by the contract ratio. If the Contractor marks box 9 of the IRS Form W-14 (rather than completes Lines 10 through 12), Contractor must identify and enter the specific exempt and nonexempt amounts in Line 15 of the IRS Form W-14; the Government will then withhold 2 percent only from the nonexempt amount. See the IRS Form W-14 and its instructions.

(e) Exemptions from the withholding under this clause are described at 26 CFR 1.5000C-1(d) (5) through (7). Any exemption claimed and self-certified on the IRS Form W-14 is subject to audit by the IRS. Any disputes regarding the imposition and collection of the [26 U.S.C. 5000C](#) tax are adjudicated by the IRS as the [26 U.S.C. 5000C](#) tax is a tax matter, not a contract issue.

(f) Taxes imposed under [26 U.S.C. 5000C](#) may not be—

(1) Included in the contract price; nor

(2) Reimbursed.

(g) A taxpayer may, for a fee, seek advice from the Internal Revenue Service (IRS) as to the proper tax treatment of a transaction. This is called a private letter ruling. Also, the IRS may publish a revenue ruling, which is an official interpretation by the IRS of the Internal Revenue Code, related statutes, tax treaties, and regulations. A revenue ruling is the conclusion of the IRS on how the law is applied to a specific set of facts. For questions relating to the interpretation of the IRS regulations go to <https://www.irs.gov/help/tax-law-questions>.

(End of clause)

## 2.2 Addendum to Contract Clauses - FAR and DOSAR Clauses not Prescribed in Part 12

The following Federal Acquisition Regulation (FAR) clauses are provided in full text:

### FAR 52.252-2 Clauses Incorporated by Reference (FEB 1998)

This contract incorporates one or more clauses by reference, with the same force and effect as if they were given in full text. Upon request, the Contracting Officer will make their full text available. In addition, the full text of a clause may be accessed electronically at: <https://acquisition.gov/browse/index/far> this address is subject to change.

If the Federal Acquisition Regulation (FAR) is not available at the location indicated above, use the Department of State Acquisition website at [https://ecfr.io/cgi-bin/text-idx?SID=d9a7851186785ba2b1896db79b1b6b29&mc=true&tpl=/ecfrbrowse/TITLE48/48tab\\_02.tpl](https://ecfr.io/cgi-bin/text-idx?SID=d9a7851186785ba2b1896db79b1b6b29&mc=true&tpl=/ecfrbrowse/TITLE48/48tab_02.tpl) to see the links to the FAR. You may also use an Internet "search engine" (for example, Google, Yahoo or Excite) to obtain the latest location of the most current FAR.

The following Federal Acquisition Regulation clauses are incorporated by reference:

<u>Clause</u>	<u>Title and Date</u>
52.203-17	Contractor Employee Whistleblower Rights and Requirement to Inform Employees of Whistleblower Rights (JUN 2020)
52.204-13	System for Award Management Maintenance (OCT 2018)
52.204-18	Commercial and Government Entity Code Maintenance (AUG 2020)
52.204-25	Prohibition on Contracting for Certain Telecommunications and Video Surveillance Services or Equipment (NOV 2021)
52.225-14	Inconsistency Between English Version and Translation of Contract (FEB 2000)



- 52.228-3 Workers' Compensation Insurance (Defense Base Act) (JUL 2014)
- 52.228-4 Worker's Compensation and War-Hazard Insurance Overseas (APR 1984)
- 52.228-5 Insurance - Work on a Government Installation (JAN 1997)
- 52.229-6 Foreign Fixed Price Contracts (FEB 2013)
- 52.232-39 Unenforceability of Unauthorized Obligations (JUNE 2013)
- 52.204-9 Personal Identity Verification of Contractor Personnel (JAN 2011)
- 52.244-6 Subcontracts for Commercial Products and Commercial Services (DEC 2022)

The following Department of State Acquisition Regulation (DOSAR) clauses are provided in full text:

Contractor Identification (JULY 2008)

Contract performance may require contractor personnel to attend meetings with government personnel and the public, work within government offices, and/or utilize government email.

Contractor personnel must take the following actions to identify themselves as non-federal employees:

- (1) Use an email signature block that shows name, the office being supported and company affiliation (e.g. "John Smith, Office of Human Resources, ACME Corporation Support Contractor");
- (2) Clearly identify themselves and their contractor affiliation in meetings;
- (3) Identify their contractor affiliation in Departmental e-mail and phone listings whenever contractor personnel are included in those listings; and
- (4) Contractor personnel may not utilize Department of State logos or indicia on business cards.

DOSAR 652.215-70 Examination of Records

(a) With respect to matters related to this contract or a subcontract hereunder, the Department of State Office of the Inspector General, or an authorized representative, shall have upon request:

- (1) Complete, prompt, and free access to all Contractor and Subcontractor files (in any format), documents, records, data, premises, and employees, except as limited by law; and

(2) The right to interview any current Contractor and Subcontractor personnel, individually and directly, with respect to such matters.

(b) This clause may not be construed to require the contractor or any subcontractor to create or maintain any record that the contractor or subcontractor does not maintain in the ordinary course of business or pursuant to a provision of law.

(c) The Contractor shall insert a clause containing all the terms of this clause, including this [paragraph \(c\)](#), in all subcontracts under this contract other than acquisitions described in Federal Acquisition Regulation 15.209(b)(1).

DOSAR 652.232-70 Payment Schedule and Invoice Submission (Fixed-Price) (AUG 1999)

(a) General. The Government shall pay the Contractor as full compensation for all work required, performed, and accepted under this contract the firm fixed price stated in this contract.

(b) Invoice Submission. The Contractor shall submit invoices in one original to the office shown below. To constitute a proper invoice, the invoice shall include all the items required by FAR 32.905(e).

Attn: Financial Management Center  
U.S. Embassy Tokyo  
(Invoice for PO# - to be determined)

The Contractor may submit invoices electronically to [TokyoInvoices@state.gov](mailto:TokyoInvoices@state.gov).

(c) Contractor Remittance Address. The Government will make payment to the Contractor's address stated on the cover page of this contract, unless a separate remittance address is shown below:

(The U.S. Government will provide the winner of the contract an electronic funds transfer (EFT) form to fill out.)

DOSAR 652.242-70 Contracting Officer's Representative (COR) (AUG 1999)

(a) The Contracting Officer may designate in writing one or more Government employees, by name or position title, to take action for the Contracting Officer under this contract. Each designee shall be identified as a Contracting Officer's Representative (COR). Such designation(s) shall specify the scope and limitations of the authority so delegated; provided, that the designee shall not change the terms or conditions of the contract,

unless the COR is a warranted Contracting Officer and this authority is delegated in the designation.

(b) The COR for this contract is Information Management Assistant at the U.S. Embassy in Tokyo.

DOSAR 652.242-73 Authorization and Performance (AUG 1999)

(a) The Contractor warrants the following:

(1) That is has obtained authorization to operate and do business in the country or countries in which this contract will be performed;

(2) That is has obtained all necessary licenses and permits required to perform this contract; and

(3) That it shall comply fully with all laws, decrees, labor standards, and regulations of said country or countries during the performance of this contract.

(b) If the party actually performing the work will be a subcontractor or joint venture partner, then such subcontractor or joint venture partner agrees to the requirements of paragraph (a) of this clause.

### Section 3: Solicitation Provisions

#### 3.1. Solicitation Provisions

FAR 52.212-1, Instructions to Offerors - Commercial Items (NOV 2021), is incorporated by reference. (see SF-18, Block (b))

Addendum to 52.212-1: none

#### 3.2 Summary of Instructions

The quoter shall complete and submit one copy of the following:

(a) Volume 1 - Standard Form 18 (SF-18). Volume 1 consists of completion of blocks 13, 14, 15, and 16 of the form (page 1).

(b) Volume 2 - Price. Volume 2 consists of Section 1.1.3: Pricing (page 3) of the RFQ, and Price breakdown. Quoters must include the currency which they are submitting their prices in.

(c) Volume 3 - Representations and Certifications. Volume 3 consists of Section 5: Representations and Certifications (complete all portions that are applicable) of RFQ.

(d) Volume 4 - Technical Proposals. Volume 4 consists of information demonstrating the quoter's ability to perform, including:

(1) Name of a Project Manager (or other liaison to the Embassy) who understands written and spoken English;

(2) Evidence that the quoter operates an established business with a permanent address and telephone listing in Japan.

(3) Proof of the System for Award Management (SAM.gov) registration. (It is acceptable either the status of "Active" or "ID Assigned".)

(4) List of clients over the past three years, demonstrating prior experience with relevant past performance information and references with professional sound systems, A/V control systems, and Dante network systems (provide dates of contracts, places of performance, value of contracts. If it is possible, provide contact names, telephone and fax numbers and email addresses). If the quoter has not performed comparable services in Japan, then the quoter shall provide its international experience.

The Government will use past performance information primarily to assess a quoter's capability to meet the solicitation performance requirements, including the relevance and successful performance of the quoter's work experience. The Government may also use this data to evaluate the credibility of the quoter's proposal.

In addition, the Contracting Officer may use past performance information in making determination of responsibility.

(5) Evidence that the quoter can provide the necessary personnel, equipment, and financial resources needed to perform the work;

(6) The quoter shall provide drawing(s) of the proposed wiring diagram.

(7) The quoter shall provide parts list (including all the items of this project) and detailed descriptions if the quoter offers any equivalent items.

Quotation must be received no later than **12:00 noon, Monday, May 22, 2023 (Japan Standard Time) via email** shown below. **(Not via Postal Mail)**

No quotations will be accepted after this date/time.

Point of Contact: Masao Chuma - Procurement Agent  
Email: [ChumaMX@state.gov](mailto:ChumaMX@state.gov)  
Subject: RFQ 19JA8023Q0024

Mobile: 090-1110-9306  
Embassy Telephone Operator: 03-3224-5000

Note: After submission of quotation, quoter shall contact Masao Chuma by phone or separate email to confirm the receipt of quotation.

The quoter shall identify and explain/justify any deviations, exceptions, or conditional assumptions taken with respect to any of the instructions or requirements of this RFQ in the appropriate volume of the quote.

### 3.3 Addendum to Solicitation Provisions - FAR and DOSAR Provisions not Prescribed in Part 12

FAR 52.252-1 Solicitation Provisions Incorporated by Reference (FEB 1998)

This solicitation incorporates one or more solicitation provisions by reference, with the same force and effect as if they were given in full text. Upon request, the Contracting Officer will make their full text available. In addition, the full text of a clause may be accessed electronically at [Acquisition.gov](http://Acquisition.gov) this address is subject to change.

If the Federal Acquisition Regulation (FAR) is not available at the location indicated above, use the Department of State Acquisition website at [e-CFR](http://e-CFR) to see the links to the FAR. You may also use an Internet "search engine" (for example, Google, Yahoo or Excite) to obtain the latest location of the most current FAR.

The following Federal Acquisition Regulation (FAR) solicitation provisions are incorporated by reference:

<u>Provision</u>	<u>Title and Date</u>
52.204-7	System for Award Management (OCT 2018)
52.204-16	Commercial and Government Entity Code Reporting (JUL 2016)
52.214-34	Submission of Offers in the English Language (APR 1991)
52.237-1	Site Visit (APR 1984)

The site visit will be held on **Friday, April 28, 2023, at 2:00 p.m. (Japan Standard Time)** at the U.S. Embassy Tokyo, located at 1-10-5 Akasaka, Minato-ku, Tokyo 107-8420.

Prospective offerors/quoters should contact Masao Chuma by email at [ChumaMX@state.gov](mailto:ChumaMX@state.gov) for additional information to arrange entry to the Embassy building.

The following Department of State Acquisition Regulation (DOSAR) provision is provided in full text:

DOSAR 652.206-70 Advocate for Competition/Ombudsman (FEB 2015)

(a) The Department of State's Advocate for Competition is responsible for assisting industry in removing restrictive requirements from Department of State solicitations and removing barriers to full and open competition and use of commercial items. If such a solicitation is considered competitively restrictive or does not appear properly conducive to competition and commercial practices, potential offerors are encouraged first to contact the

contracting office for the solicitation. If concerns remain unresolved, contact:

(1) For solicitations issued by the Office of Acquisition Management (A/LM/AQM) or a Regional Procurement Support Office, the A/LM/AQM Advocate for Competition, at [AQMCompetitionAdvocate@state.gov](mailto:AQMCompetitionAdvocate@state.gov).

(2) For all others, the Department of State Advocate for Competition at [cat@state.gov](mailto:cat@state.gov).

(b) The Department of State's Acquisition Ombudsman has been appointed to hear concerns from potential offerors and contractors during the pre-award and post-award phases of this acquisition. The role of the ombudsman is not to diminish the authority of the contracting officer, the Technical Evaluation Panel or Source Evaluation Board, or the selection official. The purpose of the ombudsman is to facilitate the communication of concerns, issues, disagreements, and recommendations of interested parties to the appropriate Government personnel, and work to resolve them. When requested and appropriate, the ombudsman will maintain strict confidentiality as to the source of the concern. The ombudsman does not participate in the evaluation of proposals, the source selection process, or the adjudication of formal contract disputes. Interested parties are invited to contact the contracting activity ombudsman, Minister-Counselor for Management Affairs, at TEL: +81-3-3224-5585 or FAX: +81-3-3224-5303. For an American Embassy or overseas post, refer to the numbers below for the Department Acquisition Ombudsman. Concerns, issues, disagreements, and recommendations which cannot be resolved at a contracting activity level may be referred to the Department of State Acquisition Ombudsman at (703) 516-1696 or write to:

Department of State  
Acquisition Ombudsman  
Office of the Procurement Executive (A/OPE)  
Suite 1060, SA-15  
Washington, DC 20520  
U.S.A.

## Section 4: Evaluation Factors

### 4.1 Evaluation Factors

The U.S. Government intends to award a contract resulting from this Request for Quotations (RFQ) to the lowest priced, technically acceptable, responsible offeror. The evaluation process shall include the following:

- (a) Award will be made to the lowest priced, technically acceptable, responsible offeror. The U.S. Government reserves the right to reject proposals that are unreasonably low or high in price.
- (b) The lowest price will be determined by multiplying the offered prices times the estimated quantities in "1.1.3 Prices - Continuation of SF-18, block 11(f), Amount", and arriving at a grand total.
- (c) The Government will determine acceptability by assessing the offeror's compliance with the terms of the RFQ to include the technical information required by Section 3.
- (d) The Government will determine contractor responsibility by analyzing whether the apparent successful quoter complies with the requirements of FAR 9.1, including:
  - (1) Adequate financial resources or the ability to obtain them;
  - (2) Ability to comply with the required performance period, taking into consideration all existing commercial and governmental business commitments;
  - (3) Satisfactory record of integrity and business ethics;
  - (4) Necessary organization, experience, and skills or the ability to obtain them;
  - (5) Necessary equipment and facilities or the ability to obtain them; and
  - (6) Be otherwise qualified and eligible to receive an award under applicable laws and regulations.



4.2 Addendum to Evaluation Factors - FAR and DOSAR Provisions not Prescribed in Part 12

The following Federal Acquisition Regulation (FAR) provisions are provided in full text:

FAR 52.225-17 Evaluation of Foreign Currency Offers (FEB 2000)

If the Government receives offers in more than one currency, the Government will evaluate offers by converting the foreign currency to United States currency using the exchange rate used by the Embassy in effect as follows:

- (a) For acquisitions conducted using sealed bidding procedures, on the date of bid opening.
- (b) For acquisitions conducted using negotiation procedures—
  - (1) On the date specified for receipt of offers, if award is based on initial offers; otherwise
  - (2) On the date specified for receipt of proposal revisions.

## Section 5: Representations and Certifications

### 5.1 Offeror Representations and Certifications

FAR 52.204-24 Representation Regarding Certain Telecommunications and Video Surveillance Services or Equipment (NOV 2021)

The Offeror shall not complete the representation at paragraph (d)(1) of this provision if the Offeror has represented that it "does not provide covered telecommunications equipment or services as a part of its offered products or services to the Government in the performance of any contract, subcontract, or other contractual instrument" in paragraph (c)(1) in the provision at [52.204-26](#), Covered Telecommunications Equipment or Services-Representation, or in paragraph (v)(2)(i) of the provision at [52.212-3](#), Offeror Representations and Certifications-Commercial Items. The Offeror shall not complete the representation in paragraph (d)(2) of this provision if the Offeror has represented that it "does not use covered telecommunications equipment or services, or any equipment, system, or service that uses covered telecommunications equipment or services" in paragraph (c)(2) of the provision at [52.204-26](#), or in paragraph (v)(2)(ii) of the provision at [52.212-3](#).

(a) *Definitions.* As used in this provision-

*Backhaul, covered telecommunications equipment or services, critical technology, interconnection arrangements, reasonable inquiry, roaming, and substantial or essential component* have the meanings provided in the clause [52.204-25](#), Prohibition on Contracting for Certain Telecommunications and Video Surveillance Services or Equipment.

(b) *Prohibition.*

(1) Section 889(a)(1)(A) of the John S. McCain National Defense Authorization Act for Fiscal Year 2019 (Pub. L. 115-232) prohibits the head of an executive agency on or after August 13, 2019, from procuring or obtaining, or extending or renewing a contract to procure or obtain, any equipment, system, or service that uses covered telecommunications equipment or services as a substantial or essential component of any system, or as critical technology as part of any system. Nothing in the prohibition shall be construed to-

(i) Prohibit the head of an executive agency from procuring with an entity to provide a service that connects to the facilities of a third-party, such as backhaul, roaming, or interconnection arrangements; or

(ii) Cover telecommunications equipment that cannot route or redirect user data traffic or cannot permit visibility into any

user data or packets that such equipment transmits or otherwise handles.

(2) Section 889(a)(1)(B) of the John S. McCain National Defense Authorization Act for Fiscal Year 2019 (Pub. L. 115-232) prohibits the head of an executive agency on or after August 13, 2020, from entering into a contract or extending or renewing a contract with an entity that uses any equipment, system, or service that uses covered telecommunications equipment or services as a substantial or essential component of any system, or as critical technology as part of any system. This prohibition applies to the use of covered telecommunications equipment or services, regardless of whether that use is in performance of work under a Federal contract. Nothing in the prohibition shall be construed to—

(i) Prohibit the head of an executive agency from procuring with an entity to provide a service that connects to the facilities of a third-party, such as backhaul, roaming, or interconnection arrangements; or

(ii) Cover telecommunications equipment that cannot route or redirect user data traffic or cannot permit visibility into any user data or packets that such equipment transmits or otherwise handles.

(c) *Procedures.* The Offeror shall review the list of excluded parties in the System for Award Management (SAM) (<https://www.sam.gov>) for entities excluded from receiving federal awards for "covered telecommunications equipment or services".

(d) *Representation.* The Offeror represents that—

(1) It \_\_\_ will, \_\_\_ will not provide covered telecommunications equipment or services to the Government in the performance of any contract, subcontract or other contractual instrument resulting from this solicitation. The Offeror shall provide the additional disclosure information required at paragraph (e)(1) of this section if the Offeror responds "will" in paragraph (d)(1) of this section; and

(2) After conducting a reasonable inquiry, for purposes of this representation, the Offeror represents that—

It \_\_\_ does, \_\_\_ does not use covered telecommunications equipment or services, or use any equipment, system, or service that uses covered telecommunications equipment or services. The Offeror shall provide the additional disclosure information required at paragraph (e)(2) of this section if the Offeror responds "does" in paragraph (d)(2) of this section.

(e) *Disclosures.*

(1) Disclosure for the representation in paragraph (d)(1) of this provision. If the Offeror has responded "will" in the representation in paragraph (d)(1) of this provision, the Offeror shall provide the following information as part of the offer:

(i) For covered equipment—

(A) The entity that produced the covered telecommunications equipment (include entity name, unique entity identifier, CAGE code, and whether the entity was the original equipment manufacturer (OEM) or a distributor, if known);

(B) A description of all covered telecommunications equipment offered (include brand; model number, such as OEM number, manufacturer part number, or wholesaler number; and item description, as applicable); and

(C) Explanation of the proposed use of covered telecommunications equipment and any factors relevant to determining if such use would be permissible under the prohibition in paragraph (b)(1) of this provision.

(ii) For covered services—

(A) If the service is related to item maintenance: A description of all covered telecommunications services offered (include on the item being maintained: Brand; model number, such as OEM number, manufacturer part number, or wholesaler number; and item description, as applicable); or

(B) If not associated with maintenance, the Product Service Code (PSC) of the service being provided; and explanation of the proposed use of covered telecommunications services and any factors relevant to determining if such use would be permissible under the prohibition in paragraph (b)(1) of this provision.

(2) Disclosure for the representation in paragraph (d)(2) of this provision. If the Offeror has responded "does" in the representation in paragraph (d)(2) of this provision, the Offeror shall provide the following information as part of the offer:

(i) For covered equipment—

(A) The entity that produced the covered telecommunications equipment (include entity name, unique entity identifier, CAGE code, and whether the entity was the OEM or a distributor, if known);

(B) A description of all covered telecommunications equipment offered (include brand; model number, such as OEM number, manufacturer part number, or wholesaler number; and item description, as applicable); and

(C) Explanation of the proposed use of covered telecommunications equipment and any factors relevant to determining if such use would be permissible under the prohibition in paragraph (b)(2) of this provision.

(ii) For covered services—

(A) If the service is related to item maintenance: A description of all covered telecommunications services offered (include on the item being maintained: Brand; model number, such as OEM number, manufacturer part number, or wholesaler number; and item description, as applicable); or

(B) If not associated with maintenance, the PSC of the service being provided; and explanation of the proposed use of covered telecommunications services and any factors relevant to determining if such use would be permissible under the prohibition in paragraph (b)(2) of this provision.

(End of provision)

FAR 52.204-26 Covered Telecommunications Equipment or Services-  
Representation (OCT 2020)

(a) Definitions. As used in this provision, "covered telecommunications equipment or services" and "reasonable inquiry" have the meaning provided in the clause 52.204-25, Prohibition on Contracting for Certain Telecommunications and Video Surveillance Services or Equipment.

(b) Procedures. The Offeror shall review the list of excluded parties in the System for Award Management (SAM) (<https://www.sam.gov>) for entities excluded from receiving federal awards for "covered telecommunications equipment or services".

(c) Representations.

(1) The Offeror represents that it [ ] does, [ ] does not provide covered telecommunications equipment or services as a part of its offered products or services to the Government in the performance of any contract, subcontract, or other contractual instrument.

(2) After conducting a reasonable inquiry for purposes of this representation, the Offeror represents that it [ ] does, [ ] does not use covered telecommunications equipment or services, or any equipment, system, or service that uses covered telecommunications equipment or services.

(End of provision)

FAR 52.212-3 Offeror Representations and Certifications – Commercial Products and Commercial Services (DEC 2022)

The Offeror shall complete only paragraph (b) of this provision if the Offeror has completed the annual representations and certification electronically in the System for Award Management (SAM) accessed through <https://www.sam.gov>. If the Offeror has not completed the annual representations and certifications electronically, the Offeror shall complete only paragraphs (c) through (v) of this provision.

(a) Definitions. As used in this provision–

“Covered telecommunications equipment or services” has the meaning provided in the clause [52.204-25](#), Prohibition on Contracting for Certain Telecommunications and Video Surveillance Services or Equipment.

“Economically disadvantaged women-owned small business (EDWOSB) concern” means a small business concern that is at least 51 percent directly and unconditionally owned by, and the management and daily business operations of which are controlled by, one or more women who are citizens of the United States and who are economically disadvantaged in accordance with [13 CFR part 127](#), and the concern is certified by SBA or an approved third-party certifier in accordance with [13 CFR 127.300](#). It automatically qualifies as a women-owned small business eligible under the WOSB Program.

“Forced or indentured child labor” means all work or service–

(1) Exacted from any person under the age of 18 under the menace of any penalty for its nonperformance and for which the worker does not offer himself voluntarily; or

(2) Performed by any person under the age of 18 pursuant to a contract the enforcement of which can be accomplished by process or penalties.

“Highest-level owner” means the entity that owns or controls an immediate owner of the offeror, or that owns or controls one or more entities that control an immediate owner of the offeror. No entity owns or exercises control of the highest level owner.

“Immediate owner” means an entity, other than the offeror, that has direct control of the offeror. Indicators of control include, but are not limited to, one or more of the following:

ownership or interlocking management, identity of interests among family members, shared facilities and equipment, and the common use of employees.

"Inverted domestic corporation", means a foreign incorporated entity that meets the definition of an inverted domestic corporation under [6 U.S.C. 395\(b\)](#), applied in accordance with the rules and definitions of [6 U.S.C. 395\(c\)](#)

"Manufactured end product" means any end product in product and service codes (PSCs) 1000-9999, except—

- (1) PSC 5510, Lumber and Related Basic Wood Materials;
- (2) Product or Service Group (PSG) 87, Agricultural Supplies;
- (3) PSG 88, Live Animals;
- (4) PSG 89, Subsistence;
- (5) PSC 9410, Crude Grades of Plant Materials;
- (6) PSC 9430, Miscellaneous Crude Animal Products, Inedible;
- (7) PSC 9440, Miscellaneous Crude Agricultural and Forestry Products;
- (8) PSC 9610, Ores;
- (9) PSC 9620, Minerals, Natural and Synthetic; and
- (10) PSC 9630, Additive Metal Materials.

"Place of manufacture" means the place where an end product is assembled out of components, or otherwise made or processed from raw materials into the finished product that is to be provided to the Government. If a product is disassembled and reassembled, the place of reassembly is not the place of manufacture.

"Predecessor" means an entity that is replaced by a successor and includes any predecessors of the predecessor.

"Restricted business operations" means business operations in Sudan that include power production activities, mineral extraction activities, oil-related activities, or the production of military equipment, as those terms are defined in the Sudan Accountability and Divestment Act of 2007 (Pub. L. 110-174). Restricted business operations do not include business operations that the person (as that term is defined in Section 2 of the Sudan Accountability and Divestment Act of 2007) conducting the business can demonstrate—

- (1) Are conducted under contract directly and exclusively with the regional government of southern Sudan;

(2) Are conducted pursuant to specific authorization from the Office of Foreign Assets Control in the Department of the Treasury, or are expressly exempted under Federal law from the requirement to be conducted under such authorization;

(3) Consist of providing goods or services to marginalized populations of Sudan;

(4) Consist of providing goods or services to an internationally recognized peacekeeping force or humanitarian organization;

(5) Consist of providing goods or services that are used only to promote health or education; or

(6) Have been voluntarily suspended.

“Sensitive technology”–

(1) Means hardware, software, telecommunications equipment, or any other technology that is to be used specifically–

(i) To restrict the free flow of unbiased information in Iran; or

(ii) To disrupt, monitor, or otherwise restrict speech of the people of Iran; and

(2) Does not include information or informational materials the export of which the President does not have the authority to regulate or prohibit pursuant to section 203(b)(3) of the International Emergency Economic Powers Act ([50 U.S.C. 1702\(b\)\(3\)](#)).

“Service-disabled veteran-owned small business concern”–

(1) Means a small business concern–

(i) Not less than 51 percent of which is owned by one or more service-disabled veterans or, in the case of any publicly owned business, not less than 51 percent of the stock of which is owned by one or more service-disabled veterans; and

(ii) The management and daily business operations of which are controlled by one or more service-disabled veterans or,



in the case of a service-disabled veteran with permanent and severe disability, the spouse or permanent caregiver of such veteran.

(2) Service-disabled veteran means a veteran, as defined in [38 U.S.C. 101](#)(2), with a disability that is service connected, as defined in [38 U.S.C. 101](#)(16).

"Small business concern"-

(1) Means a concern, including its affiliates, that is independently owned and operated, not dominant in its field of operation, and qualified as a small business under the criteria in [13 CFR part 121](#) and size standards in this solicitation.

(2) Affiliates, as used in this definition, means business concerns, one of whom directly or indirectly controls or has the power to control the others, or a third party or parties control or have the power to control the others. In determining whether affiliation exists, consideration is given to all appropriate factors including common ownership, common management, and contractual relationships. SBA determines affiliation based on the factors set forth at 13 CFR 121.103.

"Small disadvantaged business concern", consistent with 13 CFR 124.1002, means a small business concern under the size standard applicable to the acquisition, that-

(1) Is at least 51 percent unconditionally and directly owned (as defined at 13 CFR 124.105) by-

(i) One or more socially disadvantaged (as defined at 13 CFR 124.103) and economically disadvantaged (as defined at 13 CFR 124.104) individuals who are citizens of the United States; and

(ii) Each individual claiming economic disadvantage has a net worth not exceeding \$750,000 after taking into account the applicable exclusions set forth at 13 CFR 124.104(c)(2); and

(2) The management and daily business operations of which are controlled (as defined at 13.CFR 124.106) by individuals, who meet the criteria in paragraphs (1)(i) and (ii) of this definition.

"Subsidiary" means an entity in which more than 50 percent of the entity is owned-

- (1) Directly by a parent corporation; or
- (2) Through another subsidiary of a parent corporation.

"Successor" means an entity that has replaced a predecessor by acquiring the assets and carrying out the affairs of the predecessor under a new name (often through acquisition or merger). The term "successor" does not include new offices/divisions of the same company or a company that only changes its name. The extent of the responsibility of the successor for the liabilities of the predecessor may vary, depending on State law and specific circumstances.

"Veteran-owned small business concern" means a small business concern—

- (1) Not less than 51 percent of which is owned by one or more veterans (as defined at 38 U.S.C. 101(2)) or, in the case of any publicly owned business, not less than 51 percent of the stock of which is owned by one or more veterans; and
- (2) The management and daily business operations of which are controlled by one or more veterans.

"Women-owned business concern" means a concern which is at least 51 percent owned by one or more women; or in the case of any publicly owned business, at least 51 percent of its stock is owned by one or more women; and whose management and daily business operations are controlled by one or more women.

"Women-owned small business concern" means a small business concern—

- (1) That is at least 51 percent owned by one or more women; or, in the case of any publicly owned business, at least 51 percent of the stock of which is owned by one or more women; and
- (2) Whose management and daily business operations are controlled by one or more women.

"Women-owned small business (WOSB) concern eligible under the WOSB Program" (in accordance with [13 CFR part 127](#)), means a small business concern that is at least 51 percent directly and unconditionally owned by, and the management and daily business

operations of which are controlled by, one or more women who are citizens of the United States, and the concern is certified by SBA or an approved third-party certifier in accordance with [13 CFR 127.300](#).

(b)

(1) Annual Representations and Certifications. Any changes provided by the Offeror in paragraph (b)(2) of this provision do not automatically change the representations and certifications in SAM.

(2) The offeror has completed the annual representations and certifications electronically in SAM accessed through <http://www.sam.gov>. After reviewing SAM information, the Offeror verifies by submission of this offer that the representations and certifications currently posted electronically at FAR [52.212-3](#), Offeror Representations and Certifications-Commercial Items, have been entered or updated in the last 12 months, are current, accurate, complete, and applicable to this solicitation (including the business size standard applicable to the NAICS code referenced for this solicitation), at the time this offer is submitted and are incorporated in this offer by reference (see FAR [4.1201](#)), except for paragraphs \_\_\_\_\_.

*[Offeror to identify the applicable paragraphs at (c) through (v) of this provision that the offeror has completed for the purposes of this solicitation only, if any.*

*These amended representation(s) and/or certification(s) are also incorporated in this offer and are current, accurate, and complete as of the date of this offer.*

*Any changes provided by the offeror are applicable to this solicitation only, and do not result in an update to the representations and certifications posted electronically on SAM.]*

(c) Reserved.

(d) Reserved.

(e) Certification Regarding Payments to Influence Federal Transactions (31 <http://uscode.house.gov/> U.S.C. 1352).

(Applies only if the contract is expected to exceed \$150,000.)

By submission of its offer, the offeror certifies to the best of its knowledge and belief that no Federal appropriated funds have been paid or will be paid to any person for influencing or

attempting to influence an officer or employee of any agency, a Member of Congress, an officer or employee of Congress or an employee of a Member of Congress on his or her behalf in connection with the award of any resultant contract. If any registrants under the Lobbying Disclosure Act of 1995 have made a lobbying contact on behalf of the offeror with respect to this contract, the offeror shall complete and submit, with its offer, OMB Standard Form LLL, Disclosure of Lobbying Activities, to provide the name of the registrants. The offeror need not report regularly employed officers or employees of the offeror to whom payments of reasonable compensation were made.

(f) Reserved.

(g) Reserved.

(h) Certification Regarding Responsibility Matters (Executive Order 12689). (Applies only if the contract value is expected to exceed the simplified acquisition threshold.) The offeror certifies, to the best of its knowledge and belief, that the offeror and/or any of its principals—

(1)  Are,  are not presently debarred, suspended, proposed for debarment, or declared ineligible for the award of contracts by any Federal agency;

(2)  Have,  have not, within a three-year period preceding this offer, been convicted of or had a civil judgment rendered against them for: commission of fraud or a criminal offense in connection with obtaining, attempting to obtain, or performing a Federal, state or local government contract or subcontract; violation of Federal or state antitrust statutes relating to the submission of offers; or commission of embezzlement, theft, forgery, bribery, falsification or destruction of records, making false statements, tax evasion, violating Federal criminal tax laws, or receiving stolen property;

(3)  Are,  are not presently indicted for, or otherwise criminally or civilly charged by a Government entity with, commission of any of these offenses enumerated in paragraph (h) (2) of this clause; and

(4)  Have,  have not, within a three-year period preceding this offer, been notified of any delinquent Federal taxes in an

amount that exceeds the threshold at [9.104-5](#)(a)(2) for which the liability remains unsatisfied.

(4)  Have,  have not, within a three-year period preceding this offer, been notified of any delinquent Federal taxes in an amount that exceeds \$3,500 for which the liability remains unsatisfied.

(i) Taxes are considered delinquent if both of the following criteria apply:

(A) The tax liability is finally determined. The liability is finally determined if it has been assessed. A liability is not finally determined if there is a pending administrative or judicial challenge. In the case of a judicial challenge to the liability, the liability is not finally determined until all judicial appeal rights have been exhausted.

(B) The taxpayer is delinquent in making payment. A taxpayer is delinquent if the taxpayer has failed to pay the tax liability when full payment was due and required. A taxpayer is not delinquent in cases where enforced collection action is precluded.

(ii) Examples.

(A) The taxpayer has received a statutory notice of deficiency, under I.R.C. §6212, which entitles the taxpayer to seek Tax Court review of a proposed tax deficiency. This is not a delinquent tax because it is not a final tax liability. Should the taxpayer seek Tax Court review, this will not be a final tax liability until the taxpayer has exercised all judicial appeal rights.

(B) The IRS has filed a notice of Federal tax lien with respect to an assessed tax liability, and the taxpayer has been issued a notice under I.R.C. §6320 entitling the taxpayer to request a hearing with the IRS Office of Appeals contesting the lien filing, and to further appeal to the Tax Court if the IRS determines to sustain the lien filing. In the course of the hearing, the taxpayer is entitled to contest the underlying tax liability because the taxpayer has had no prior opportunity to contest the liability. This is

not a delinquent tax because it is not a final tax liability. Should the taxpayer seek tax court review, this will not be a final tax liability until the taxpayer has exercised all judicial appeal rights.

(C) The taxpayer has entered into an installment agreement pursuant to I.R.C. §6159. The taxpayer is making timely payments and is in full compliance with the agreement terms. The taxpayer is not delinquent because the taxpayer is not currently required to make full payment.

(D) The taxpayer has filed for bankruptcy protection. The taxpayer is not delinquent because enforced collection action is stayed under 11 U.S.C. §362 (the Bankruptcy Code).

*(i) Certification Regarding Knowledge of Child Labor for Listed End Products (Executive Order 13126). [The Contracting Officer must list in paragraph (i)(1) any end products being acquired under this solicitation that are included in the List of Products Requiring Contractor Certification as to Forced or Indentured Child Labor, unless excluded at [22.1503\(b\)](#).]*

(1) Listed end products.

Listed End Product	Listed Countries of Origin
_____	_____
_____	_____

(2) Certification. *[If the Contracting Officer has identified end products and countries of origin in paragraph (i)(1) of this provision, then the offeror must certify to either (i)(2)(i) or (i)(2)(ii) by checking the appropriate block.]*

(i) The offeror will not supply any end product listed in paragraph (i)(1) of this provision that was mined, produced, or manufactured in the corresponding country as listed for that product.

(ii) The offeror may supply an end product listed in paragraph (i)(1) of this provision that was mined, produced, or manufactured in the corresponding country as listed for that product. The offeror certifies that it has made a good faith effort to determine whether forced or indentured child labor was used to mine, produce, or manufacture any such end product furnished under this contract. On the basis of those

efforts, the offeror certifies that it is not aware of any such use of child labor.

(j) Reserved.

(k) *Certificates regarding exemptions from the application of the Service Contract Labor Standards* (Certification by the offeror as to its compliance with respect to the contract also constitutes its certification as to compliance by its subcontractor if it subcontracts out the exempt services.) [The contracting officer is to check a box to indicate if paragraph (k) (1) or (k) (2) applies.]

(1) Maintenance, calibration, or repair of certain equipment as described in FAR [22.1003-4](#)(c)(1). The offeror  does  does not certify that—

(i) The items of equipment to be serviced under this contract are used regularly for other than Governmental purposes and are sold or traded by the offeror (or subcontractor in the case of an exempt subcontract) in substantial quantities to the general public in the course of normal business operations;

(ii) The services will be furnished at prices which are, or are based on, established catalog or market prices (see FAR [22.1003-4](#)(c)(2)(ii)) for the maintenance, calibration, or repair of such equipment; and

(iii) The compensation (wage and fringe benefits) plan for all service employees performing work under the contract will be the same as that used for these employees and equivalent employees servicing the same equipment of commercial customers.

(2) Certain services as described in FAR [22.1003-4](#)(d)(1). The offeror  does  does not certify that—

(i) The services under the contract are offered and sold regularly to non-Governmental customers, and are provided by the offeror (or subcontractor in the case of an exempt subcontract) to the general public in substantial quantities in the course of normal business operations;

(ii) The contract services will be furnished at prices that are, or are based on, established catalog or market prices (see FAR [22.1003-4](#)(d)(2)(iii));

(iii) Each service employee who will perform the services under the contract will spend only a small portion of his or her time (a monthly average of less than 20 percent of the available hours on an annualized basis, or less than 20 percent of available hours during the contract period if the contract period is less than a month) servicing the Government contract; and

(iv) The compensation (wage and fringe benefits) plan for all service employees performing work under the contract is the same as that used for these employees and equivalent employees servicing commercial customers.

(3) If paragraph (k) (1) or (k) (2) of this clause applies—

(i) If the offeror does not certify to the conditions in paragraph (k) (1) or (k) (2) and the Contracting Officer did not attach a Service Contract Labor Standards wage determination to the solicitation, the offeror shall notify the Contracting Officer as soon as possible; and

(ii) The Contracting Officer may not make an award to the offeror if the offeror fails to execute the certification in paragraph (k) (1) or (k) (2) of this clause or to contact the Contracting Officer as required in paragraph (k) (3) (i) of this clause.

(1) Taxpayer Identification Number (TIN) ([26 U.S.C. 6109, 31 U.S.C. 7701](#)). (Not applicable if the offeror is required to provide this information to SAM to be eligible for award.)

(1) All offerors must submit the information required in paragraphs (1) (3) through (1) (5) of this provision to comply with debt collection requirements of [31 U.S.C. 7701\(c\) and 3325\(d\)](#), reporting requirements of [26 U.S.C. 6041, 6041A, and 6050M](#), and implementing regulations issued by the Internal Revenue Service (IRS).

(2) The TIN may be used by the Government to collect and report on any delinquent amounts arising out of the offeror's relationship with the Government ([31 U.S.C. 7701\(c\) \(3\)](#)). If the resulting contract is subject to the payment reporting requirements described in FAR [4.904](#), the TIN provided hereunder



may be matched with IRS records to verify the accuracy of the offeror's TIN.

(3) Taxpayer Identification Number (TIN).

- TIN: \_\_\_\_\_.
- TIN has been applied for.
- TIN is not required because:
  - Offeror is a nonresident alien, foreign corporation, or foreign partnership that does not have income effectively connected with the conduct of a trade or business in the United States and does not have an office or place of business or a fiscal paying agent in the United States;
  - Offeror is an agency or instrumentality of a foreign government;
  - Offeror is an agency or instrumentality of the Federal Government.

(4) Type of organization.

- Sole proprietorship;
- Partnership;
- Corporate entity (not tax-exempt);
- Corporate entity (tax-exempt);
- Government entity (Federal, State, or local);
- Foreign government;
- International organization per 26 CFR 1.6049-4;
- Other \_\_\_\_\_.

(5) Common parent.

- Offeror is not owned or controlled by a common parent;
- Name and TIN of common parent:
  - Name \_\_\_\_\_.
  - TIN \_\_\_\_\_.

(m) Restricted business operations in Sudan. By submission of its offer, the offeror certifies that the offeror does not conduct any restricted business operations in Sudan.

(n) Prohibition on Contracting with Inverted Domestic Corporations.

(1) Government agencies are not permitted to use appropriated (or otherwise made available) funds for contracts with either an inverted domestic corporation, or a subsidiary of an inverted domestic corporation, unless the exception at [9.108-2\(b\)](#) applies

or the requirement is waived in accordance with the procedures at [9.108-4](#).

(2) *Representation.* The Offeror represents that—

- (i) It  is,  is not an inverted domestic corporation; and
- (ii) It  is,  is not a subsidiary of an inverted domestic corporation.

(o) Prohibition on contracting with entities engaging in certain activities or transactions relating to Iran.

(1) The offeror shall e-mail questions concerning sensitive technology to the Department of State at [CISADA106@state.gov](mailto:CISADA106@state.gov).

(2) Representation and Certifications. Unless a waiver is granted or an exception applies as provided in paragraph (o) (3) of this provision, by submission of its offer, the offeror—

(i) Represents, to the best of its knowledge and belief, that the offeror does not export any sensitive technology to the government of Iran or any entities or individuals owned or controlled by, or acting on behalf or at the direction of, the government of Iran;

(ii) Certifies that the offeror, or any person owned or controlled by the offeror, does not engage in any activities for which sanctions may be imposed under section 5 of the Iran Sanctions Act; and

(iii) Certifies that the offeror, and any person owned or controlled by the offeror, does not knowingly engage in any transaction that exceeds \$3,500 with Iran's Revolutionary Guard Corps or any of its officials, agents, or affiliates, the property and interests in property of which are blocked pursuant to the International Emergency Economic Powers Act (50 U.S.C. 1701 et seq.) (see OFAC's Specially Designated Nationals and Blocked Persons List at <https://www.treasury.gov/resource-center/sanctions/SDN-List/Pages/default.aspx>).

(3) The representation and certification requirements of paragraph (o) (2) of this provision do not apply if—

- (i) This solicitation includes a trade agreements certification (e.g., [52.212-3](#)(g) or a comparable agency provision); and
- (ii) The offeror has certified that all the offered products to be supplied are designated country end products.
- (p) Ownership or Control of Offeror. (Applies in all solicitations when there is a requirement to be registered in SAM or a requirement to have a unique entity identifier in the solicitation.)

(1) The Offeror represents that it  has or  does not have an immediate owner. If the Offeror has more than one immediate owner (such as a joint venture), then the Offeror shall respond to paragraph (2) and if applicable, paragraph (3) of this provision for each participant in the joint venture.

(2) If the Offeror indicates "has" in paragraph (p)(1) of this provision, enter the following information:

Immediate owner CAGE code: \_\_\_\_\_.

Immediate owner legal name: \_\_\_\_\_.

(Do not use a "doing business as" name)

Is the immediate owner owned or controlled by another entity:

Yes or  No.

(3) If the Offeror indicates "yes" in paragraph (p)(2) of this provision, indicating that the immediate owner is owned or controlled by another entity, then enter the following information:

Highest-level owner CAGE code: \_\_\_\_\_.

Highest-level owner legal name: \_\_\_\_\_.

(Do not use a "doing business as" name)

(q) Representation by Corporations Regarding Delinquent Tax Liability or a Felony Conviction under any Federal Law.

(1) As required by sections 744 and 745 of Division E of the Consolidated and Further Continuing Appropriations Act, 2015 (Pub. L. 113-235), and similar provisions, if contained in subsequent appropriations acts, The Government will not enter into a contract with any corporation that—

- (i) Has any unpaid Federal tax liability that has been assessed, for which all judicial and administrative remedies

have been exhausted or have lapsed, and that is not being paid in a timely manner pursuant to an agreement with the authority responsible for collecting the tax liability, where the awarding agency is aware of the unpaid tax liability, unless an agency has considered suspension or debarment of the corporation and made a determination that suspension or debarment is not necessary to protect the interests of the Government; or

(ii) Was convicted of a felony criminal violation under any Federal law within the preceding 24 months, where the awarding agency is aware of the conviction, unless an agency has considered suspension or debarment of the corporation and made a determination that this action is not necessary to protect the interests of the Government.

(2) The Offeror represents that—

(i) It is  is not  a corporation that has any unpaid Federal tax liability that has been assessed, for which all judicial and administrative remedies have been exhausted or have lapsed, and that is not being paid in a timely manner pursuant to an agreement with the authority responsible for collecting the tax liability; and

(ii) It is  is not  a corporation that was convicted of a felony criminal violation under a Federal law within the preceding 24 months.

(r) Predecessor of Offeror. (Applies in all solicitations that include the provision at [52.204-16](#), Commercial and Government Entity Code Reporting.)

(1) The Offeror represents that it  is or  is not a successor to a predecessor that held a Federal contract or grant within the last three years.

(2) If the Offeror has indicated "is" in paragraph (r)(1) of this provision, enter the following information for all predecessors that held a Federal contract or grant within the last three years (if more than one predecessor, list in reverse chronological order):

Predecessor CAGE code: \_\_\_\_\_ (or mark "Unknown")

Predecessor legal name: \_\_\_\_\_

(Do not use a "doing business as" name)

(s) Reserved.

(t) Public Disclosure of Greenhouse Gas Emissions and Reduction Goals. Applies in all solicitations that require offerors to register in SAM ([12.301](#)(d)(1)).

(1) This representation shall be completed if the Offeror received \$7.5 million or more in contract awards in the prior Federal fiscal year. The representation is optional if the Offeror received less than \$7.5 million in Federal contract awards in the prior Federal fiscal year.

(2) Representation. [*Offeror to check applicable block(s) in paragraph (t)(2)(i) and (ii)*].

(i) The Offeror (itself or through its immediate owner or highest-level owner)  does,  does not publicly disclose greenhouse gas emissions, *i.e.*, makes available on a publicly accessible website the results of a greenhouse gas inventory, performed in accordance with an accounting standard with publicly available and consistently applied criteria, such as the Greenhouse Gas Protocol Corporate Standard.

(ii) The Offeror (itself or through its immediate owner or highest-level owner)  does,  does not publicly disclose a quantitative greenhouse gas emissions reduction goal, *i.e.*, make available on a publicly accessible website a target to reduce absolute emissions or emissions intensity by a specific quantity or percentage.

(iii) A publicly accessible website includes the Offeror's own website or a recognized, third-party greenhouse gas emissions reporting program.

(3) If the Offeror checked "does" in paragraphs (t)(2)(i) or (t)(2)(ii) of this provision, respectively, the Offeror shall provide the publicly accessible website(s) where greenhouse gas emissions and/or reduction goals are reported:\_\_\_\_\_.

(u)

(1) In accordance with section 743 of Division E, Title VII, of the Consolidated and Further Continuing Appropriations Act, 2015 (Pub. L. 113-235) and its successor provisions in subsequent appropriations acts (and as extended in continuing resolutions),

Government agencies are not permitted to use appropriated (or otherwise made available) funds for contracts with an entity that requires employees or subcontractors of such entity seeking to report waste, fraud, or abuse to sign internal confidentiality agreements or statements prohibiting or otherwise restricting such employees or subcontractors from lawfully reporting such waste, fraud, or abuse to a designated investigative or law enforcement representative of a Federal department or agency authorized to receive such information.

(2) The prohibition in paragraph (u)(1) of this provision does not contravene requirements applicable to Standard Form 312 (Classified Information Nondisclosure Agreement), Form 4414 (Sensitive Compartmented Information Nondisclosure Agreement), or any other form issued by a Federal department or agency governing the nondisclosure of classified information.

(3) *Representation.* By submission of its offer, the Offeror represents that it will not require its employees or subcontractors to sign or comply with internal confidentiality agreements or statements prohibiting or otherwise restricting such employees or subcontractors from lawfully reporting waste, fraud, or abuse related to the performance of a Government contract to a designated investigative or law enforcement representative of a Federal department or agency authorized to receive such information (e.g., agency Office of the Inspector General).

(v) *Covered Telecommunications Equipment or Services-Representation.* Section 889(a)(1)(A) of Public Law 115-232.

(1) The Offeror shall review the list of excluded parties in the System for Award Management (SAM) (<https://www.sam.gov>) for entities excluded from receiving federal awards for "covered telecommunications equipment or services".

(2) The Offeror represents that-

(i) It  does,  does not provide covered telecommunications equipment or services as a part of its offered products or services to the Government in the performance of any contract, subcontract, or other contractual instrument.

(ii) After conducting a reasonable inquiry for purposes of this representation, that it  does,  does not use covered

telecommunications equipment or services, or any equipment, system, or service that uses covered telecommunications equipment or services.

(End of Provision)

Alternate I (Oct 2014). As prescribed in [12.301](#)(b)(2), add the following paragraph (c)(11) to the basic provision:

(11) (Complete if the offeror has represented itself as disadvantaged in paragraph (c)(4) of this provision.)

\_\_\_\_\_ Black American.

\_\_\_\_\_ Hispanic American.

\_\_\_\_\_ Native American (American Indians, Eskimos, Aleuts, or Native Hawaiians).

\_\_\_\_\_ Asian-Pacific American (persons with origins from Burma, Thailand, Malaysia, Indonesia, Singapore, Brunei, Japan, China, Taiwan, Laos, Cambodia (Kampuchea), Vietnam, Korea, The Philippines, Republic of Palau, Republic of the Marshall Islands, Federated States of Micronesia, the Commonwealth of the Northern Mariana Islands, Guam, Samoa, Macao, Hong Kong, Fiji, Tonga, Kiribati, Tuvalu, or Nauru).

\_\_\_\_\_ Subcontinent Asian (Asian-Indian) American (persons with origins from India, Pakistan, Bangladesh, Sri Lanka, Bhutan, the Maldives Islands, or Nepal).

\_\_\_\_\_ Individual/concern, other than one of the preceding.

Add the following provision:

FAR 52.229-11 Tax on Certain Foreign Procurements—Notice and Representation (JUN 2020)

(a) Definitions. As used in this provision—

Foreign person means any person other than a United States person. Specified Federal procurement payment means any payment made pursuant to a contract with a foreign contracting party that is for goods, manufactured or produced, or services provided in a foreign country that is not a party to an international procurement agreement with the United States. For purposes of the prior sentence, a foreign country does not include an outlying area.

United States person as defined in 26 U.S.C. 7701(a)(30) means—

(1) A citizen or resident of the United States;

(2) A domestic partnership;

(3) A domestic corporation;

(4) Any estate (other than a foreign estate, within the meaning of 26 U.S.C. 701(a)(31)); and

(5) Any trust if—

(i) A court within the United States is able to exercise primary supervision over the administration of the trust; and

(ii) One or more United States persons have the authority to control all substantial decisions of the trust.

(b) Unless exempted, there is a 2 percent tax of the amount of a specified Federal procurement payment on any foreign person receiving such payment. See 26 U.S.C. 5000C and its implementing regulations at 26 CFR 1.5000C-1 through 1.5000C-7.

(c) Exemptions from withholding under this provision are described at 26 CFR 1.5000C-1(d)(5) through (7). The Offeror would claim an exemption from the withholding by using the Department of the Treasury Internal Revenue Service Form W-14, Certificate of Foreign Contracting Party Receiving Federal Procurement Payments, available via the internet at [www.irs.gov/w14](http://www.irs.gov/w14). Any exemption claimed and self-certified on the IRS Form W-14 is subject to audit by the IRS. Any disputes regarding the imposition and collection of the 26 U.S.C. 5000C tax are adjudicated by the IRS as the 26 U.S.C. 5000C tax is a tax matter, not a contract issue. The IRS Form W-14 is provided to the acquiring agency rather than to the IRS.

(d) For purposes of withholding under 26 U.S.C. 5000C, the Offeror represents that—

(1) It  is  is not a foreign person; and

(2) If the Offeror indicates "is" in paragraph (d)(1) of this provision, then the Offeror represents that—I am claiming on the IRS Form W-14  a full exemption, or  partial or no exemption [Offeror shall select one] from the excise tax.

(e) If the Offeror represents it is a foreign person in paragraph (d)(1) of this provision, then—

(1) The clause at FAR 52.229-12, Tax on Certain Foreign Procurements, will be included in any resulting contract; and

(2) The Offeror shall submit with its offer the IRS Form W-14. If the IRS Form W-14 is not submitted with the offer, exemptions



will not be applied to any resulting contract and the Government will withhold a full 2 percent of each payment.

(f) If the Offeror selects "is" in paragraph (d)(1) and "partial or no exemption" in paragraph (d)(2) of this provision, the Offeror will be subject to withholding in accordance with the clause at FAR 52.229-12, Tax on Certain Foreign Procurements, in any resulting contract.

(g) A taxpayer may, for a fee, seek advice from the Internal Revenue Service (IRS) as to the proper tax treatment of a transaction. This is called a private letter ruling. Also, the IRS may publish a revenue ruling, which is an official interpretation by the IRS of the Internal Revenue Code, related statutes, tax treaties, and regulations. A revenue ruling is the conclusion of the IRS on how the law is applied to a specific set of facts. For questions relating to the interpretation of the IRS regulations go to <https://www.irs.gov/help/tax-law-questions>.

(End of provision)

Addendum to Solicitation Provisions - FAR and DOSAR Provisions not Prescribed in Part 12

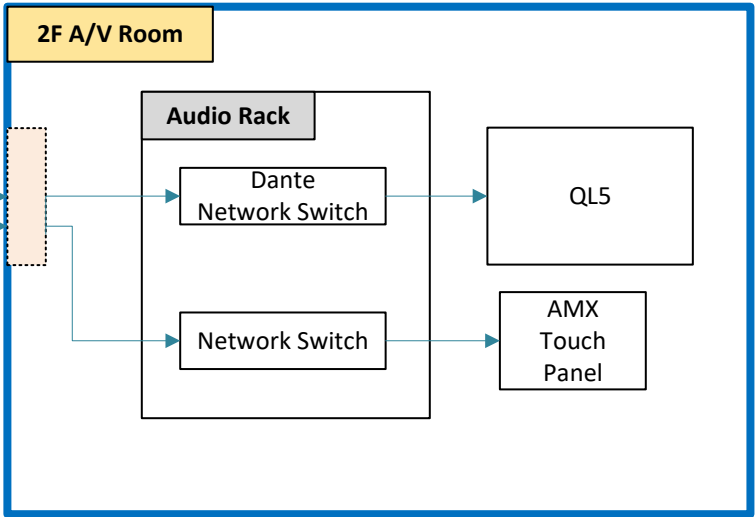
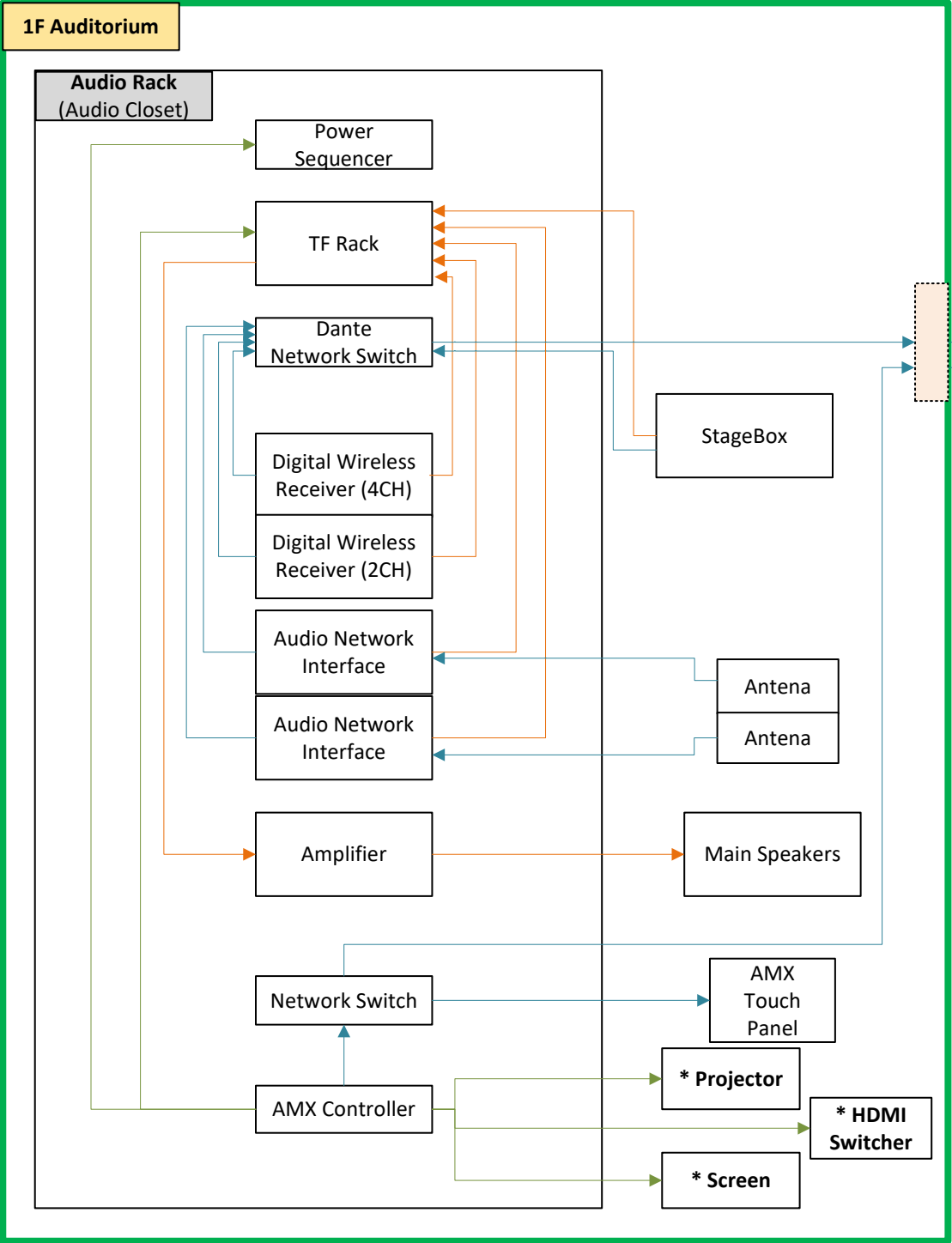
FAR 52.252-1 Solicitation Provisions Incorporated by Reference (FEB 1998)

This solicitation incorporates one or more solicitation provisions by reference, with the same force and effect as if they were given in full text. Upon request, the Contracting Officer will make their full text available. In addition, the full text of a clause may be accessed electronically at [Acquisition.gov](http://Acquisition.gov) this address is subject to change.

If the Federal Acquisition Regulation (FAR) is not available at the location indicated above, use the Department of State Acquisition website at [e-CFR](http://e-CFR) to see the links to the FAR. You may also use an Internet "search engine" (for example, Google, Yahoo or Excite) to obtain the latest location of the most current FAR.

The following Federal Acquisition Regulation (FAR) solicitation provisions are incorporated by reference:

FAR 52.225-25 Prohibition on Contracting with Entities Engaging in Certain Activities or Transactions Relating to Iran-Representation and Certifications (JUN 2020)



\* existing system

--- CAT6 (We will provide) ---

———— CAT6 ————

———— Analog Audio ————



Speaker Cabinet:  
1m x 0.8m x 0.8m

Speaker Cabinet

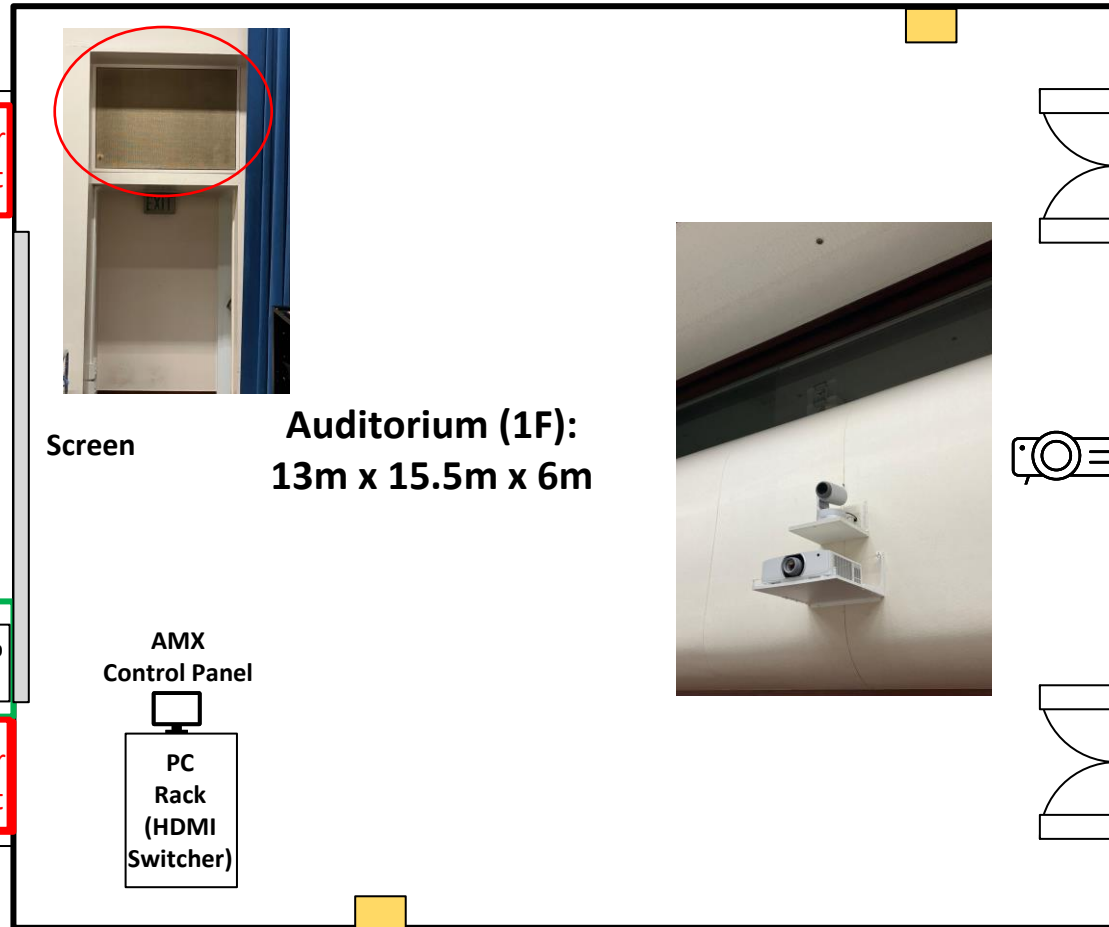
Closet (1F)



Audio Closet:  
1m x 1m x 3m

Audio Rack

Speaker Cabinet



Screen

Auditorium (1F):  
13m x 15.5m x 6m

AMX  
Control Panel

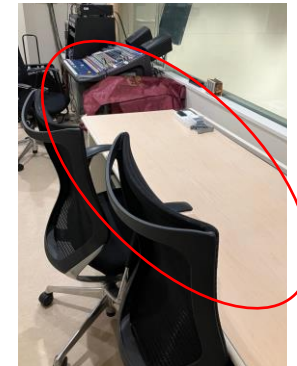
PC  
Rack  
(HDMI  
Switcher)

MXW  
Antenna

WMXW  
Antenna



A/V Room (2F):  
13m x 2.8m x 2.4m



Audio  
Rack

AMX  
Control Panel

QL5