


AMENDMENT OF SOLICITATION / MODIFICATION OF CONTRACT			1. CONTRACT ID CODE	PAGE OF PAGES 1 3
2. AMENDMENT/MODIFICATION NO. A001	3. EFFECTIVE DATE See Item 16C.	4. REQUISITION/PURCHASE REQ. NO. PR11545137		5. PROJECT NO.
6. ISSUED BY CODE Procurement/Contracting Unit U.S. Embassy 1-10-5 Akasaka Minato-ku, Tokyo 107-8420 Japan		7. ADMINISTERED BY CODE See Item 6.		
8. NAME AND ADDRESS OF CONTRACTOR		√	9a. AMENDMENT OF SOLICITATION NO. 19JA8023Q0024	
			9b. DATED (SEE ITEM 11) April 21, 2023	
			10a. MODIFICATION OF CONTRACT/ORDER NO.	
			10b. DATED (SEE ITEM 13)	
11. THIS ITEM ONLY APPLIES TO AMENDMENTS OF SOLICITATIONS				
<p>[<input checked="" type="checkbox"/>] The above numbered solicitation is amended as set forth in Item 14. The hour and date specified for receipt of Offers [<input checked="" type="checkbox"/>] is extended, [<input type="checkbox"/>] is not extended. Offers must acknowledge receipt of this amendment prior to the hour and date specified in the solicitation, or as amended, by one of the following methods:</p> <p>(a) by completing Items 8 and 15 and returning one copy of the amendment;</p> <p>(b) by acknowledging receipt of this amendment on each copy of the offer submitted; or</p> <p>(c) by separate letter or telegram which includes a reference to the solicitation and amendment numbers.</p> <p>FAILURE OF YOUR ACKNOWLEDGMENT TO BE RECEIVED AT THE PLACE DESIGNATED FOR THE RECEIPT OF OFFERS PRIOR TO THE HOUR AND DATE SPECIFIED MAY RESULT IN REJECTION OF YOUR OFFER.</p> <p>If by virtue of this amendment you desire to change an offer already submitted, such change may be made by telegram or letter, provided each telegram or letter makes reference to the solicitation and this amendment and is received prior to the opening hour and date specified.</p>				
12. ACCOUNTING AND APPROPRIATION DATA				
Not applicable.				
13. THIS ITEM APPLIES ONLY TO MODIFICATIONS OF CONTRACTS/ORDERS; IT MODIFIES THE CONTRACT/ORDER NO. AS DESCRIBED IN ITEM 14.				
A. THIS CHANGE ORDER IS ISSUED PURSUANT TO: THE CHANGES SET FORTH IN ITEM 14 ARE MADE IN THE CONTRACT ORDER NO. IN ITEM 10A.				
B. THE ABOVE NUMBERED CONTRACT/ORDER IS MODIFIED TO REFLECT THE ADMINISTRATIVE CHANGES (such as changes in paying office, appropriation date, etc.) SET FORTH IN ITEM 14, PURSUANT TO THE AUTHORITY OF FAR 43.103(b).				
C. THIS SUPPLEMENTAL AGREEMENT IS ENTERED INTO PURSUANT TO AUTHORITY OF:				
D. OTHER:				
E. IMPORTANT: Contractor [<input type="checkbox"/>] is not, [<input type="checkbox"/>] is required to sign this document and return <u>one</u> copy to the issuing office.				
14. DESCRIPTION OF AMENDMENT/MODIFICATION				
Request for Quotations number 19JA8023Q0024 is hereby amended as follows, effective the date of the Contracting Officer's signature.				
1. The Embassy will conduct the second round of Pre-Quotation Conference and Site Visit on June 2, 2023. Accordingly, due dates for questions and quotations are extended as described on the following page.				
2. Revised Diagram: Attachment - I, as per the following page.				
Except as provided herein, all terms and conditions of the document referenced in Item 9A or 10A, as heretofore changed, remain unchanged and in full force and effect.				
15A. NAME AND TITLE OF SIGNER (type or print)			16A. NAME OF CONTRACTING OFFICER	
			Charles F. Hughes	
15B. NAME OF CONTRACTOR/OFFEROR	15C. DATE SIGNED	16B. UNITED STATES OF AMERICA		16C. DATE SIGNED
BY (signature of person authorized to sign)		BY  (signature of Contracting Officer)		05/23/2023

1. Pre-quotation Conference and Site Visit (2nd round)

(a) The Embassy intends to conduct a pre-quotation conference and walk-through at the site, which will be held at the following Date/Time and Location:

Date: Friday, June 2, 2023
Time: From 2:00 p.m. to on/about 3:30 p.m. (Japan Standard Time)
Location: Meet at the Reception Lobby at the U.S. Embassy
1-10-5 Akasaka, Minato-ku, Tokyo 107-8420

(b) All interested quoters who wish to attend must submit individual name (s), limited to three persons per company, company name/address, telephone/fax numbers, and email address, via email to Masao Chuma at ChumaMX@state.gov. by **no later than 12:00 noon, Thursday, June 1, 2023 (JST)**, to arrange entry to the Embassy building. **Note: No attendee submission will be accepted after the specified date/time.**

(c) Attendee(s) must present an identification (ID) card with a photo (e.g. driver's license, passport, etc.) as it is required for entering the building.

(d) Bringing laptop PCs, electronic measuring equipment, cameras, and any kinds of electronic device into the Embassy building is prohibited. Therefore, do NOT bring them as the Embassy guards are not allowed to hold them on behalf.

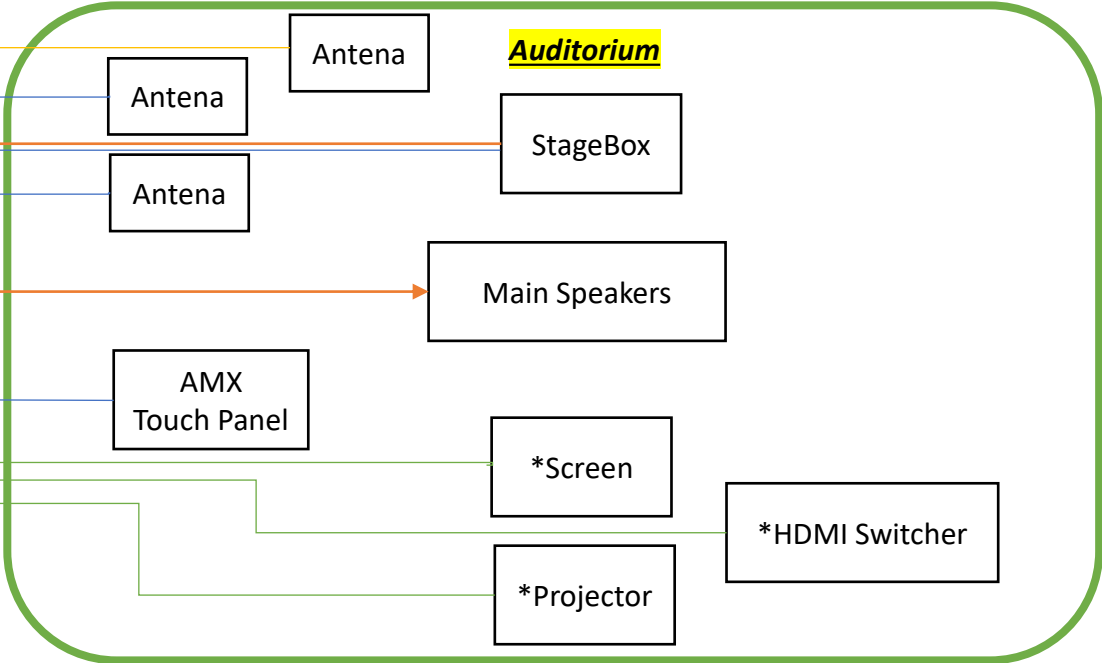
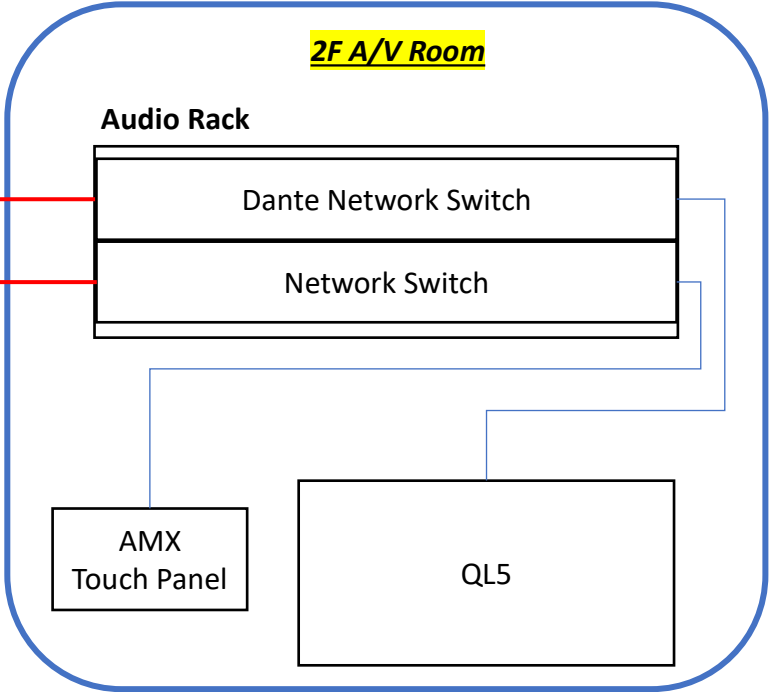
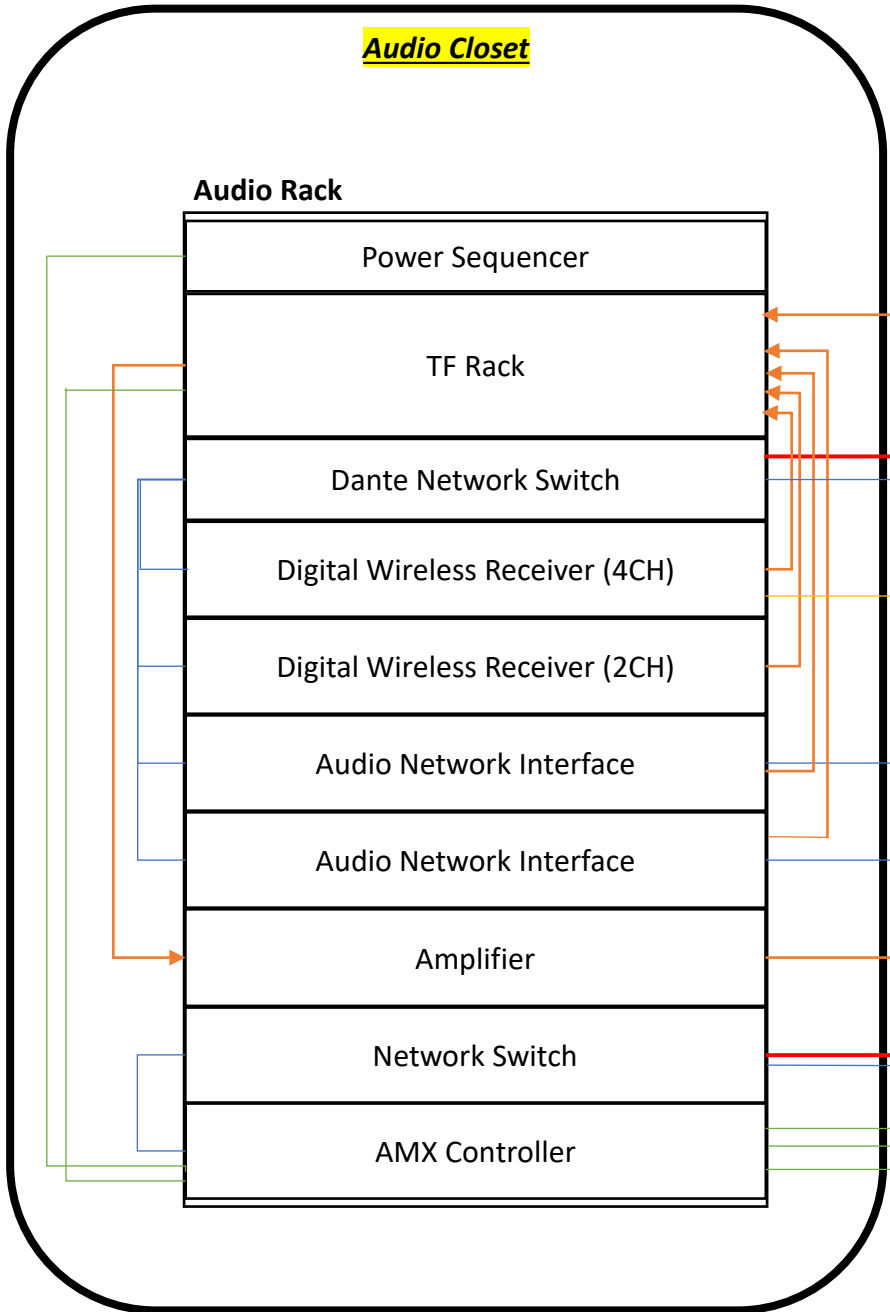
(e) Photography is NOT ALLOWED

2. Questions

Following the conference and site visit, quoters may submit questions (written by English) regarding this RFQ by 3:00 p.m., Wednesday, June 7, 2023 (JST) via email to ChumaMX@state.gov. No question submission will be accepted after the specified date/time. All questions will be consolidated, and one response document will be prepared and posted on the Embassy's website, the same website from where you obtained the solicitation documents.

3. Quotations

Quotations are due by **12:00 noon, Friday, June 16, 2023 (JST)**. No quotation will be accepted after the specified date/time. Quotations must be in English and incomplete quotations will not be accepted. Your quotation must be submitted electronically to Masao Chuma via email to ChumaMX@state.gov. The email size must not exceed 15MB. If the email size should exceed the 15MB, the submission must be made in separate emails less than 15MB each. After submission of quotation, quoters shall contact Masao Chuma by phone or email to confirm the receipt of quotation.



- * existing system
- BNC
- Analog Audio
- CAT6
- CAT6 (we will provide)
- Other